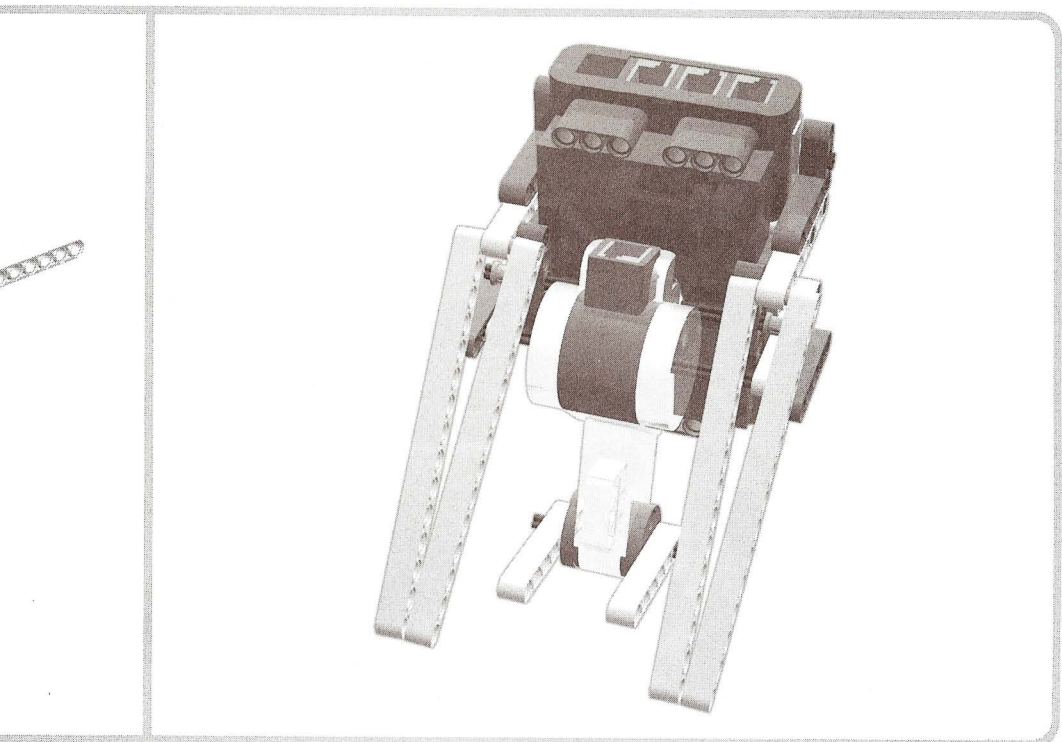


The beam is held on with both an axle and a pin.



The beams will hang loosely. Without these beams, the robot would fall down. At the end of these building instructions, I will show you how

12

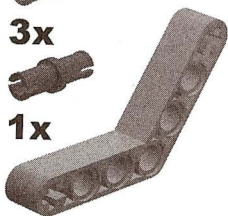


3x



1x

2x



13

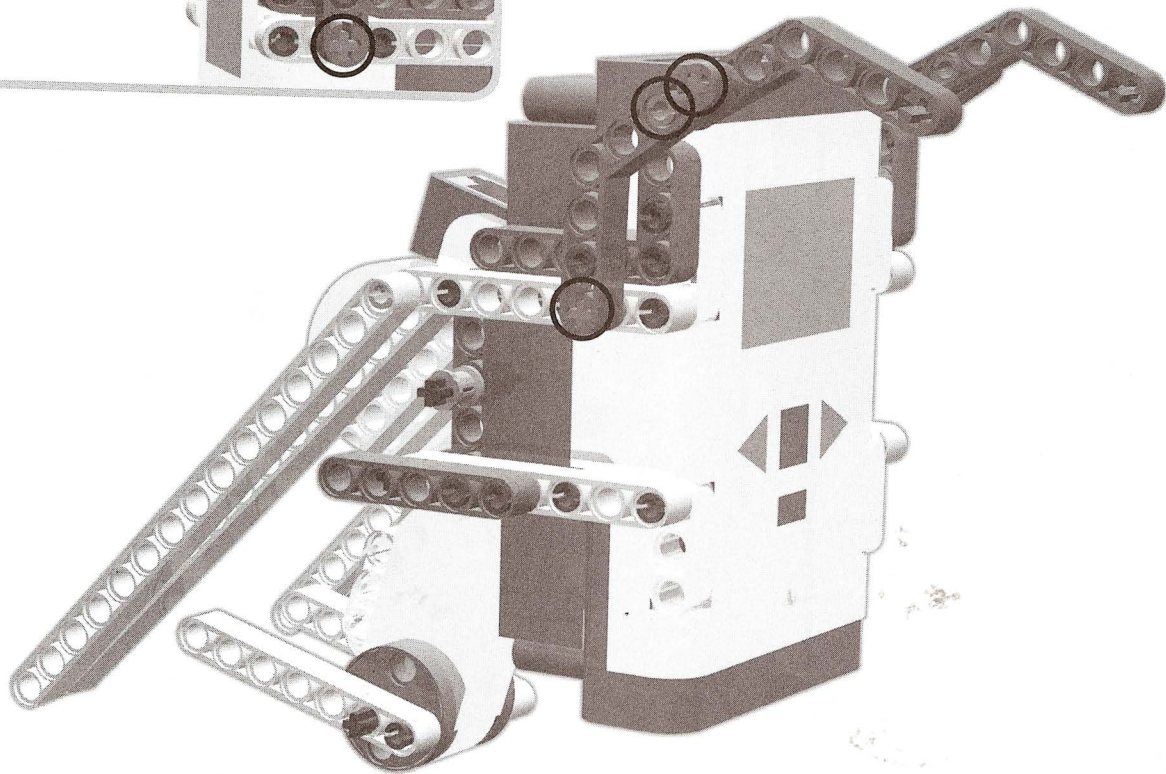
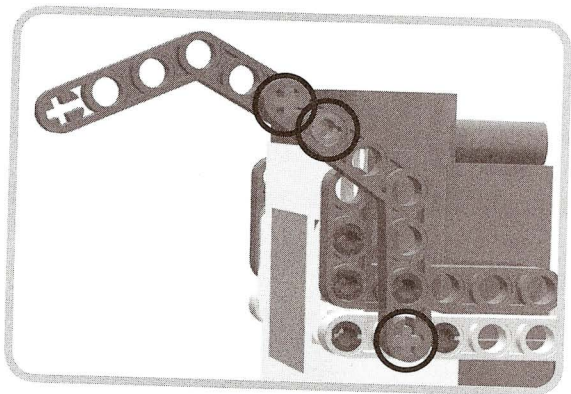
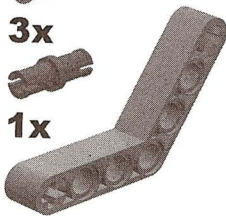


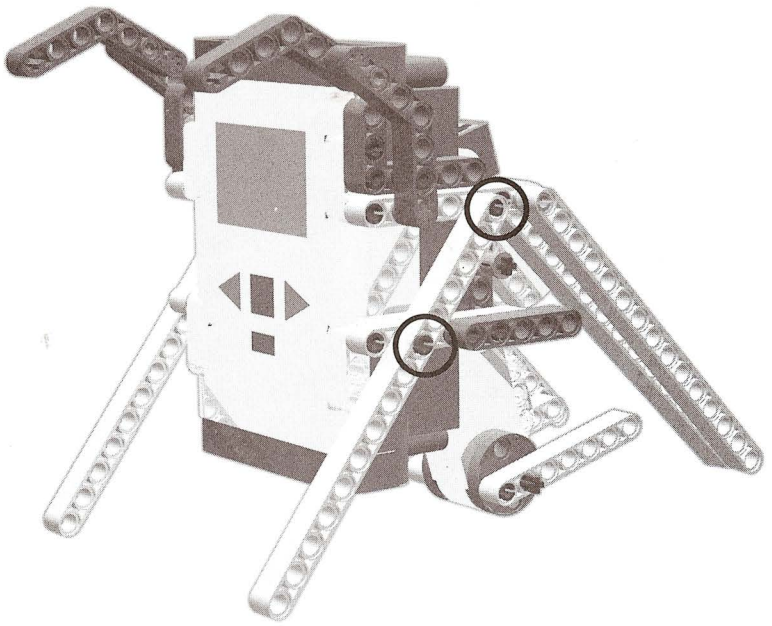
3x



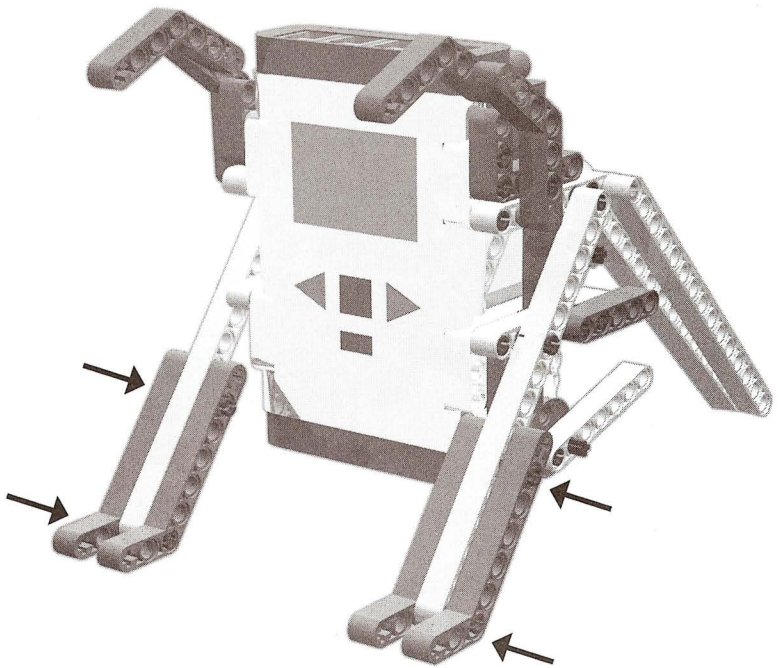
1x

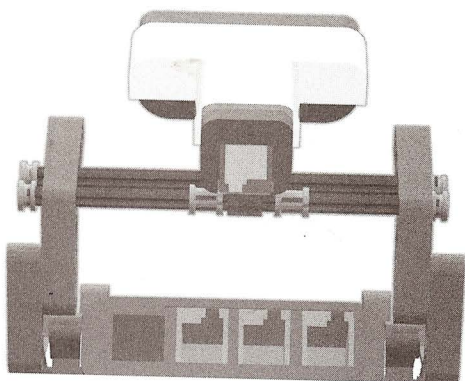
2x



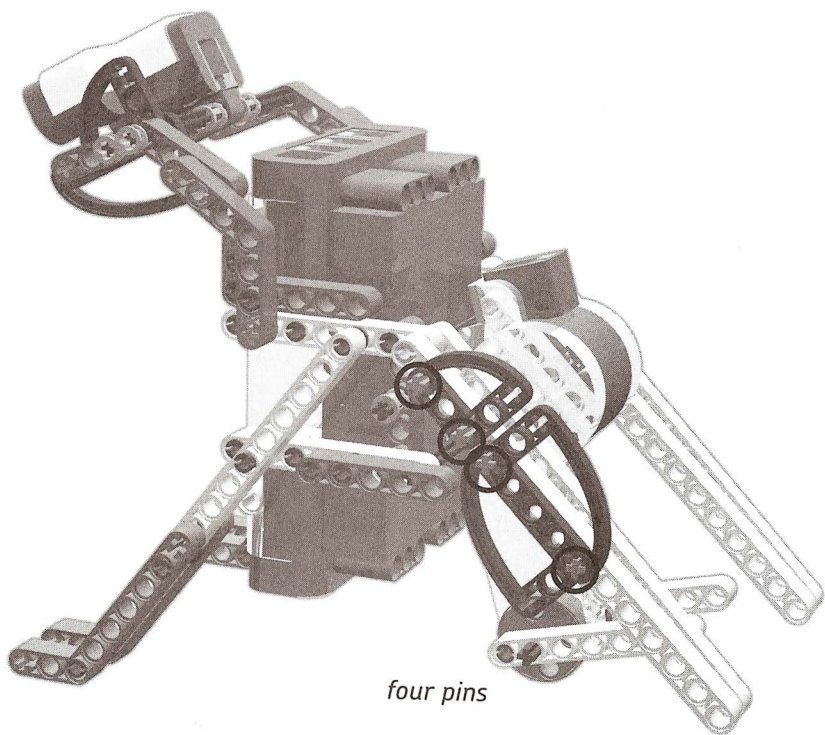


ns on each side.





meant to make your robot look more like a frog. They work correctly.



four pins