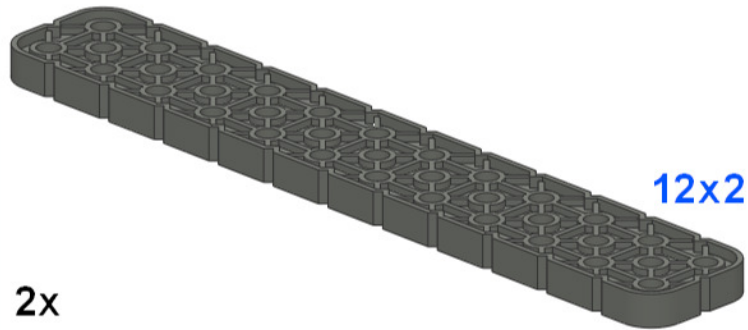


IQuadruped

Xander Soldaat - xander@botbench.com

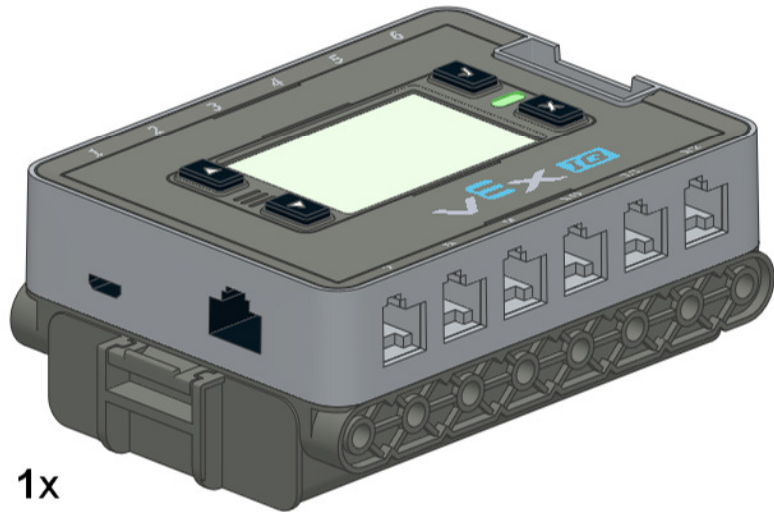


CAD Rendering by Christopher R. Smith - the.littlehorn@gmail.com

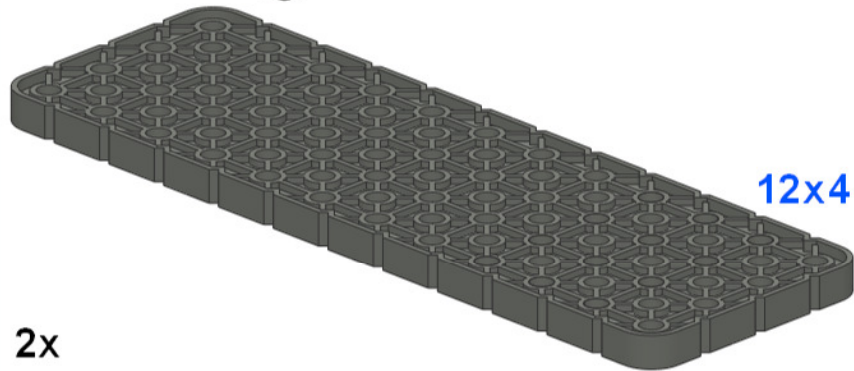


12x2

2x

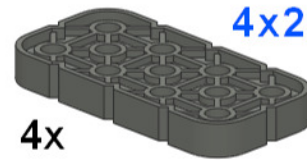


1x



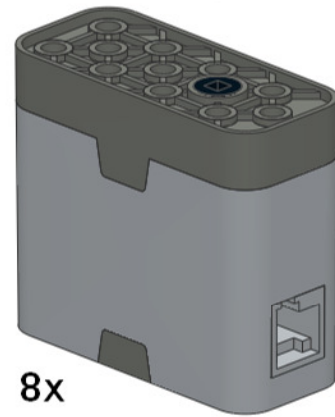
12x4

2x

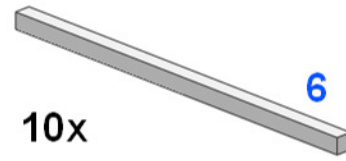


4x2

4x

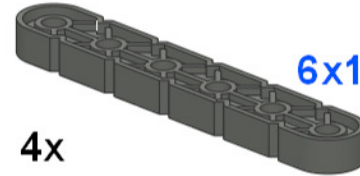


8x



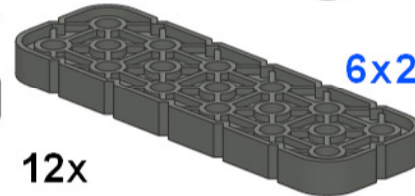
6

10x



6x1

4x

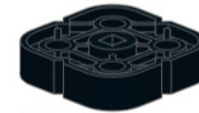


6x2

12x



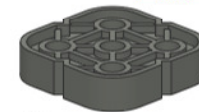
14x



8x

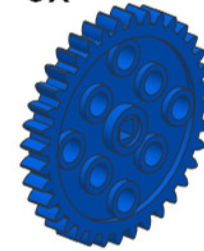


4x

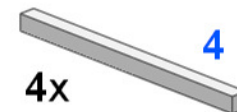


2x2

6x

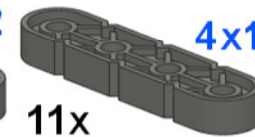


4x



4

4x



4x1

11x



32x



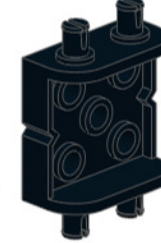
4x



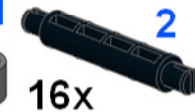
8x



4x



8x

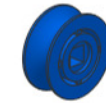


2

16x



4x



4x



4x



0.5

8x



4x



4x



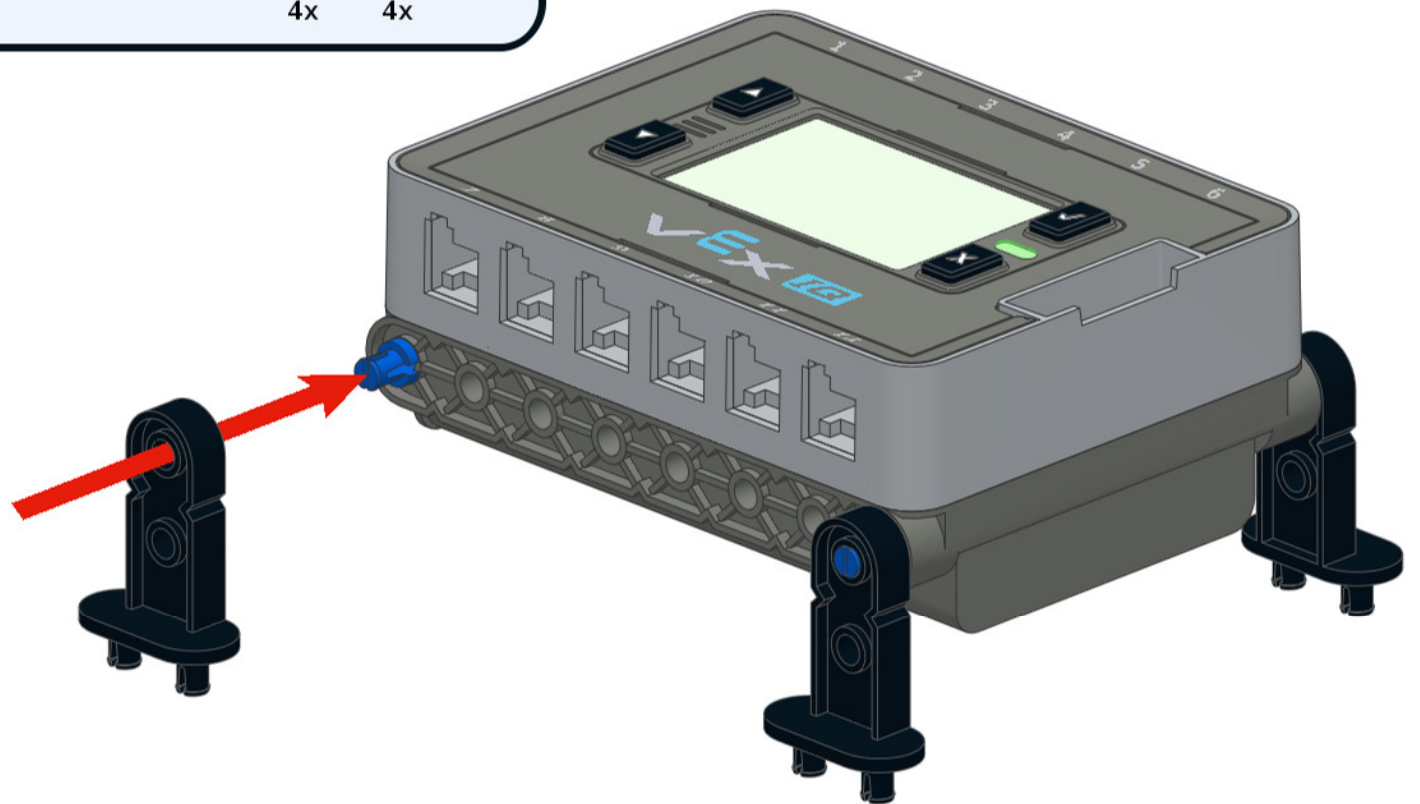
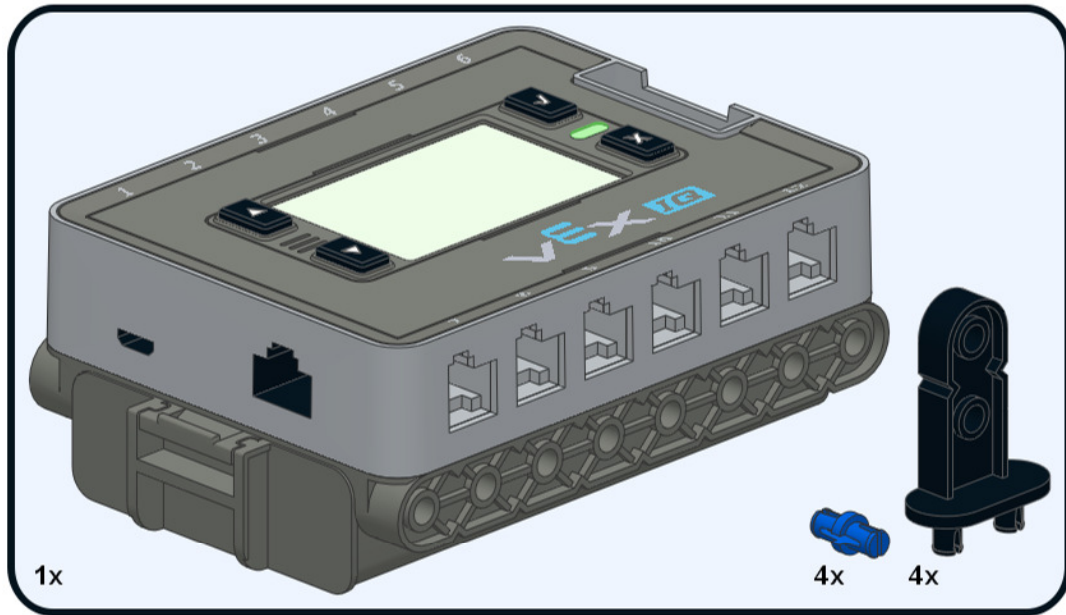
8x

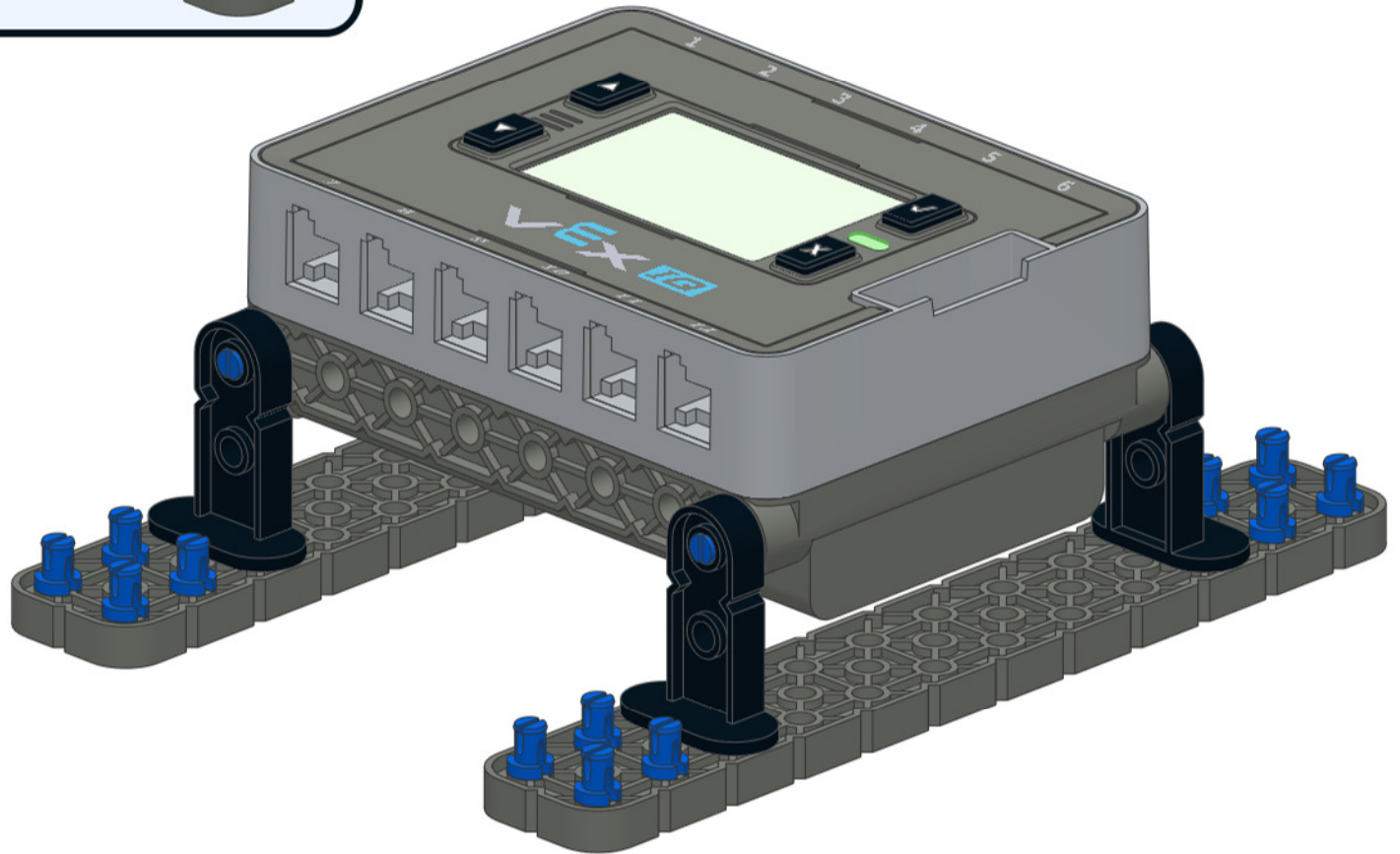
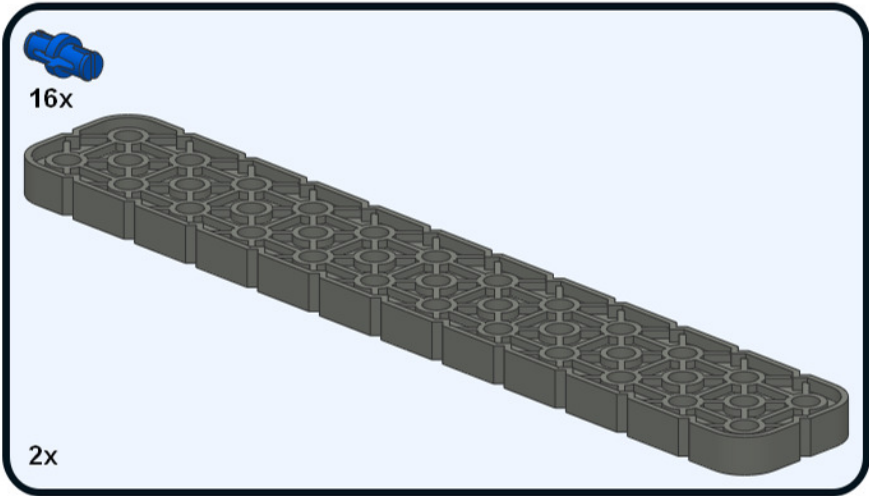


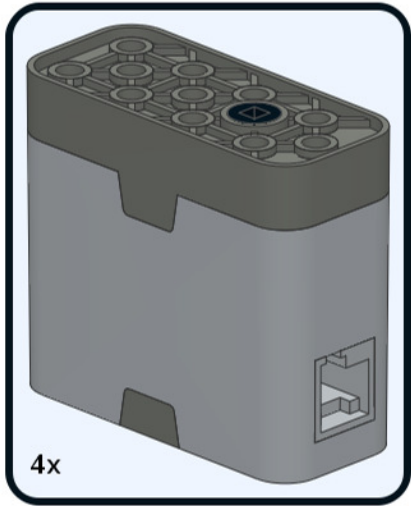
78x



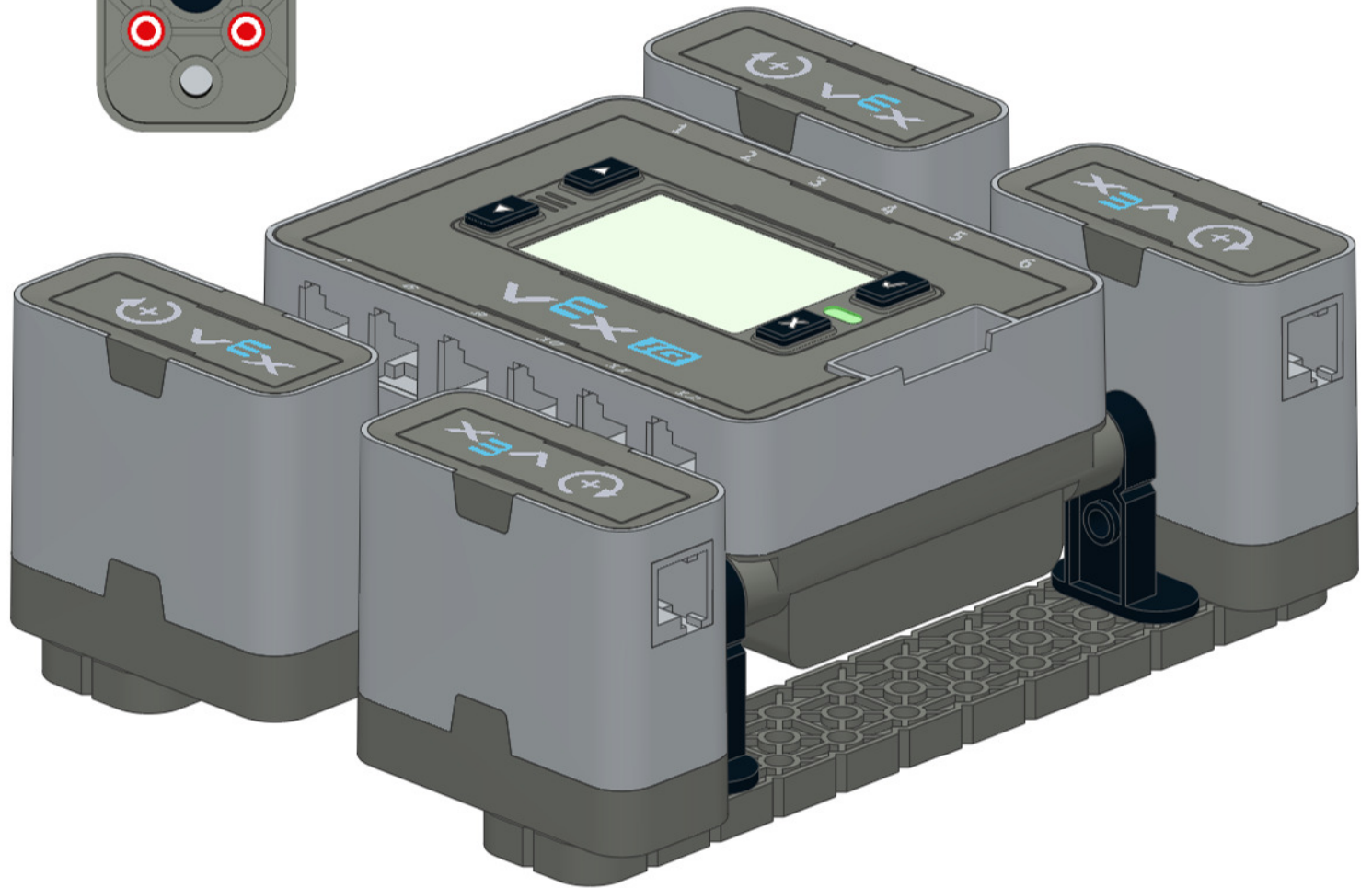
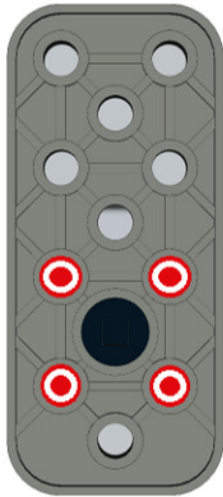
16x



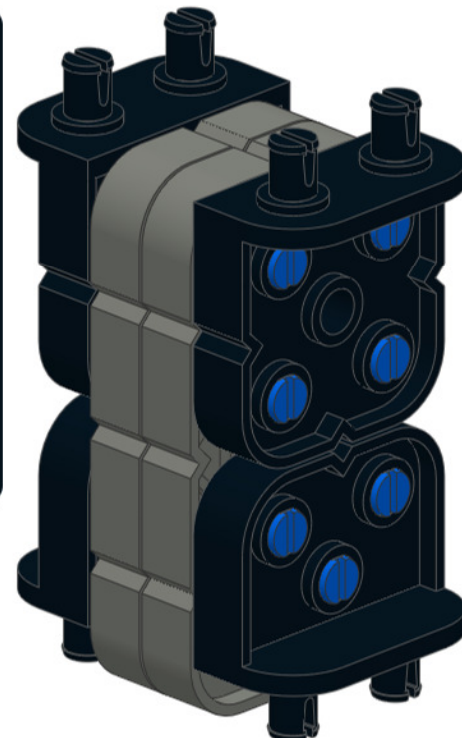
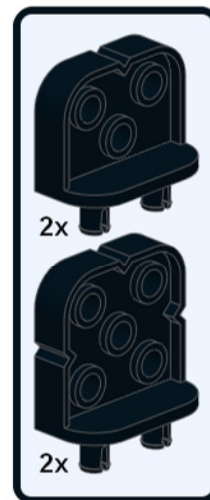
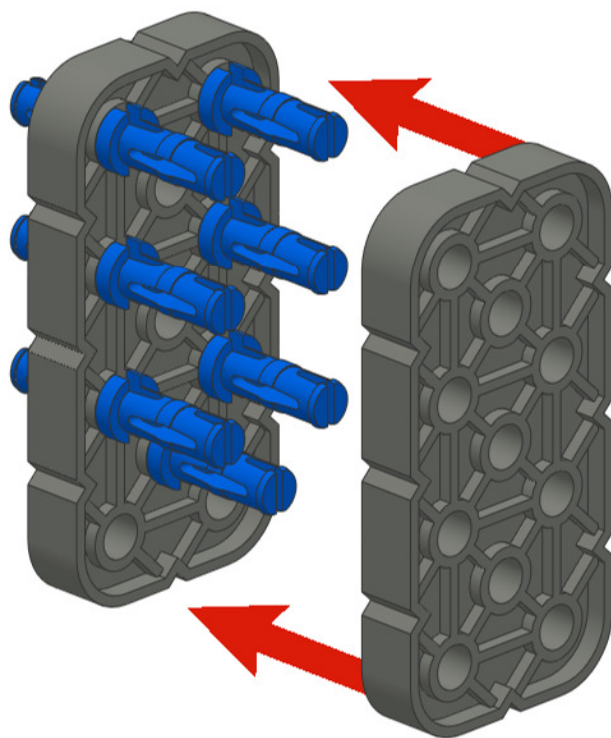
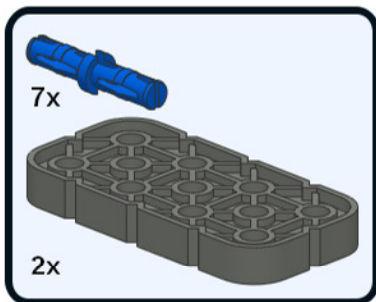


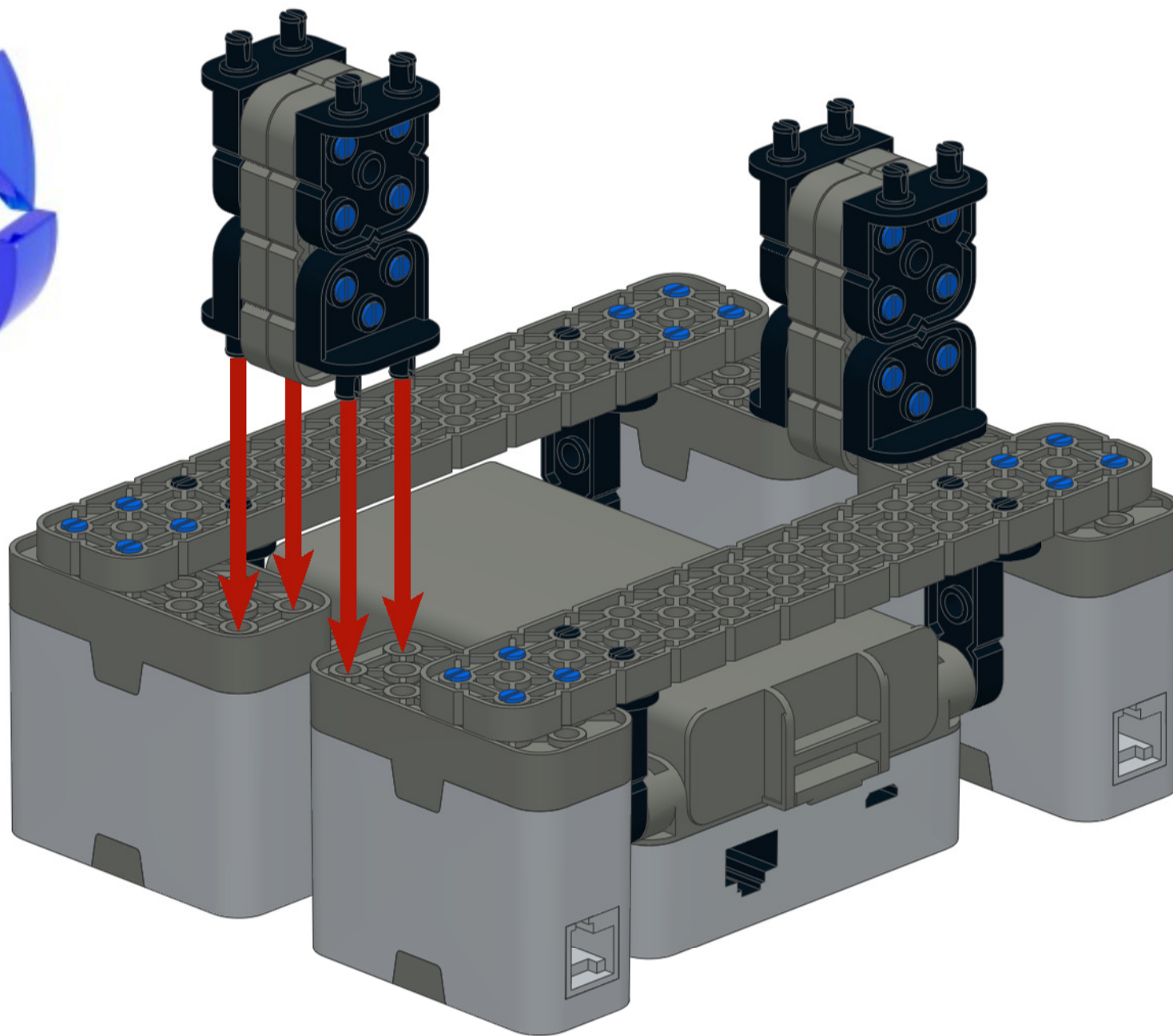


4x

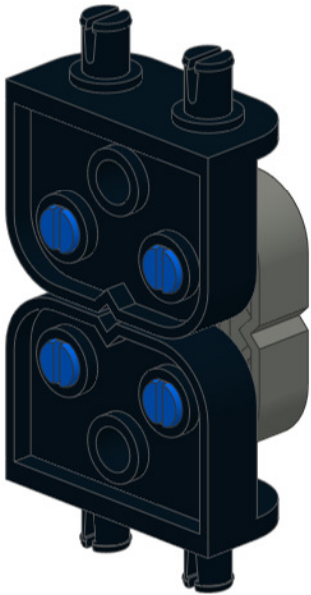
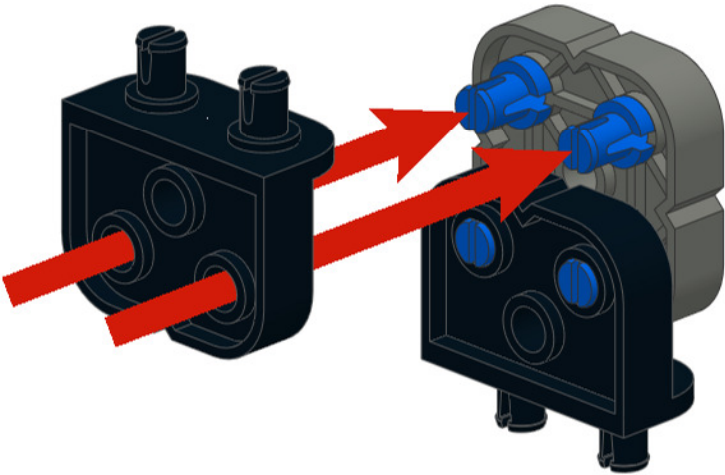
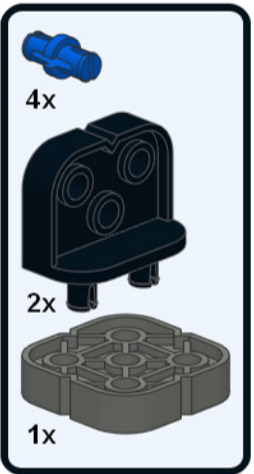


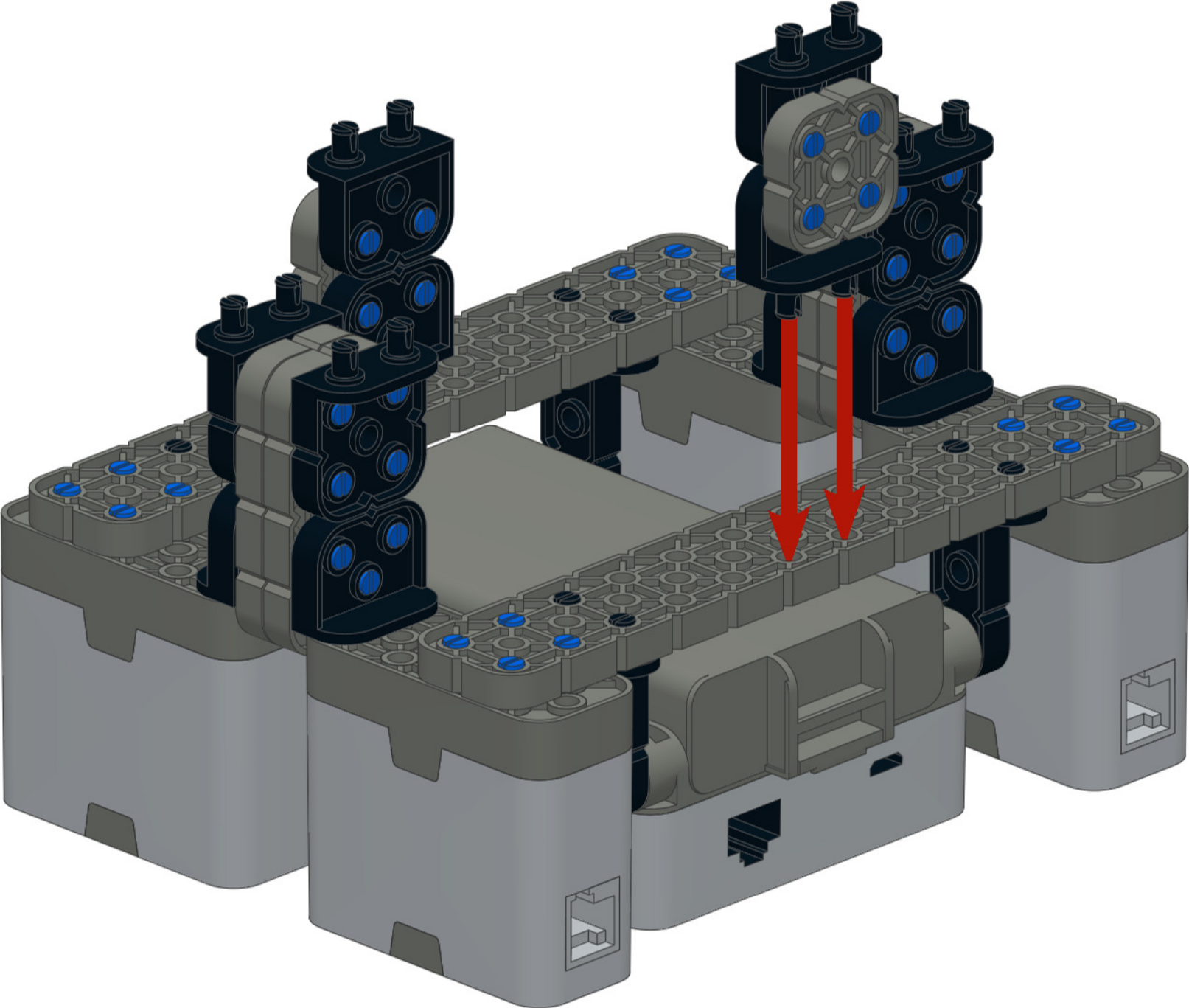
x2

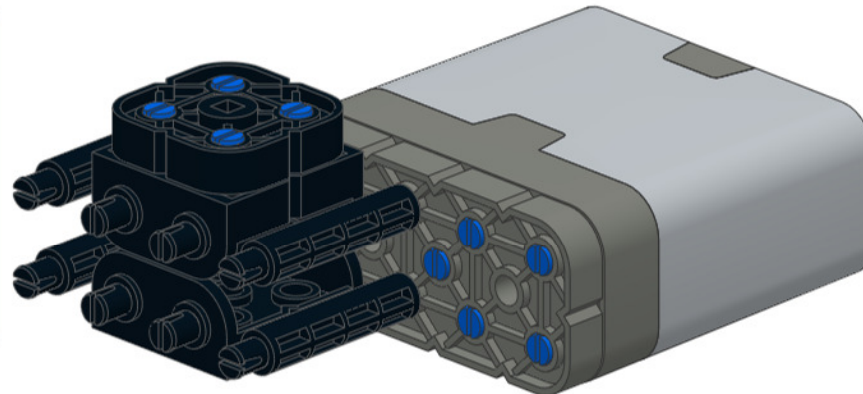
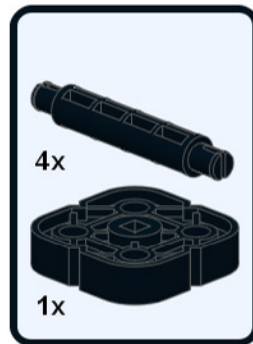
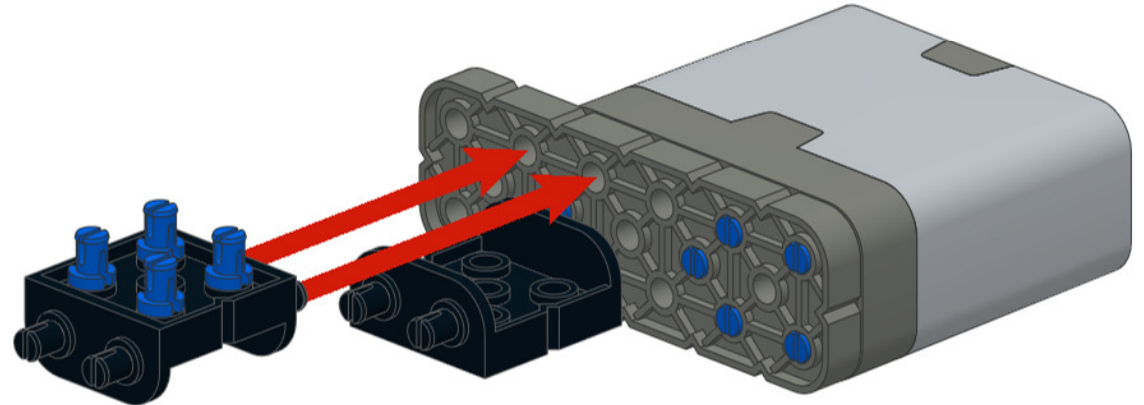
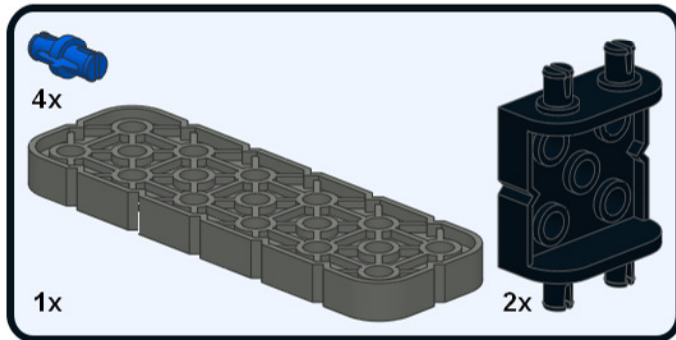
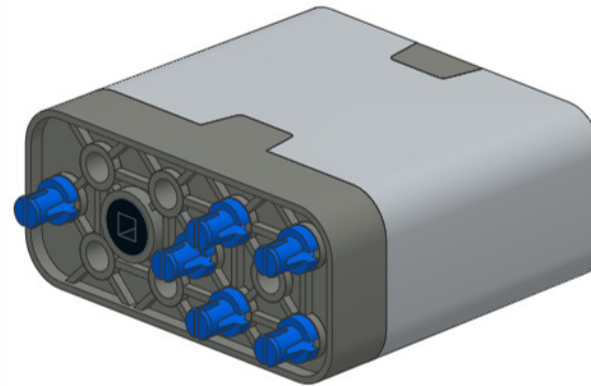
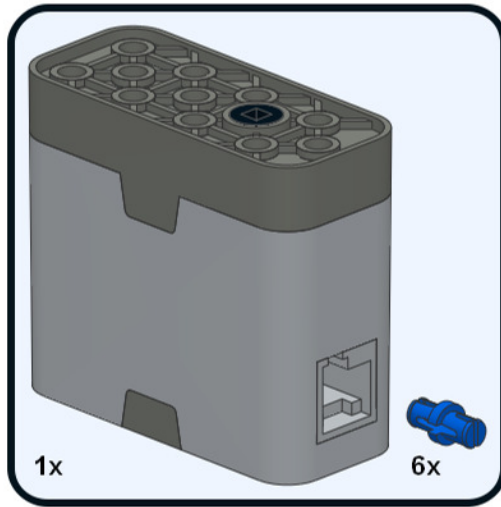


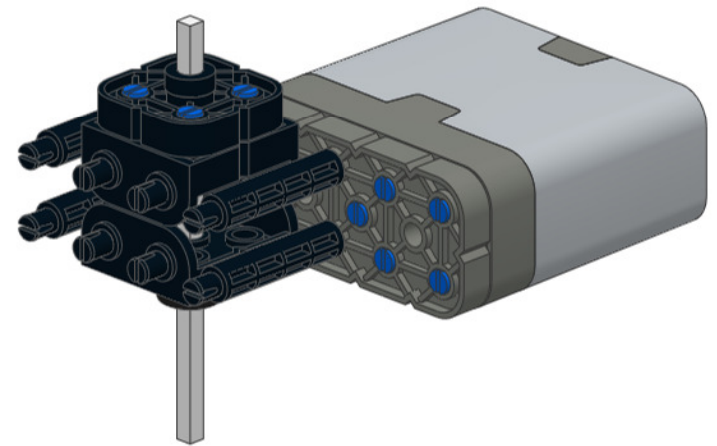
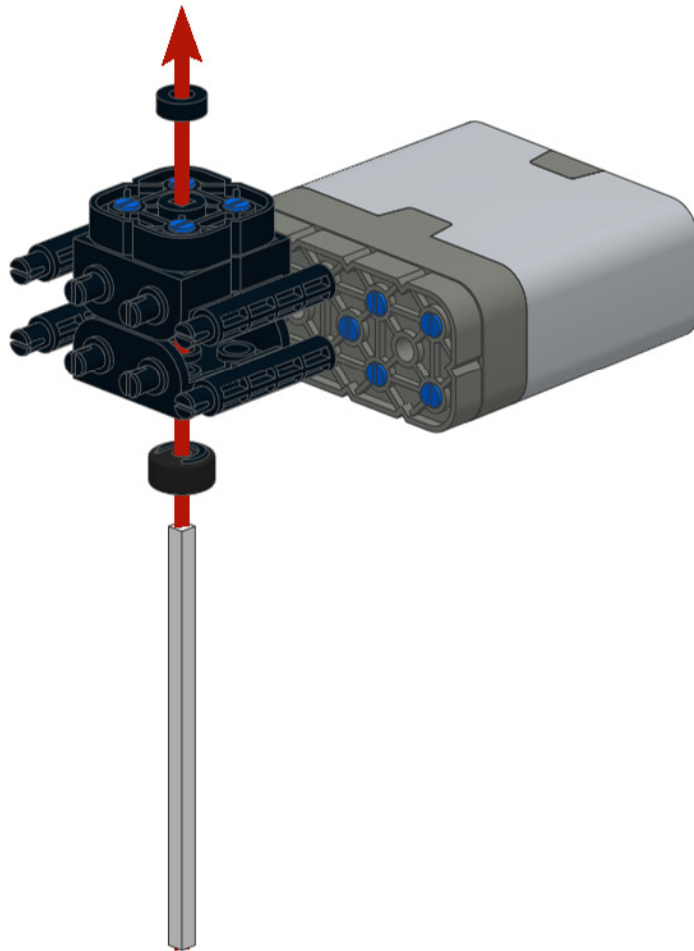
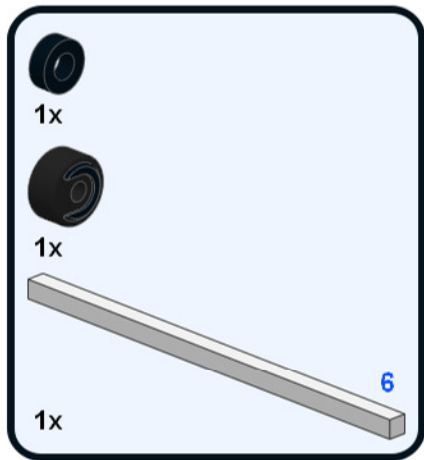


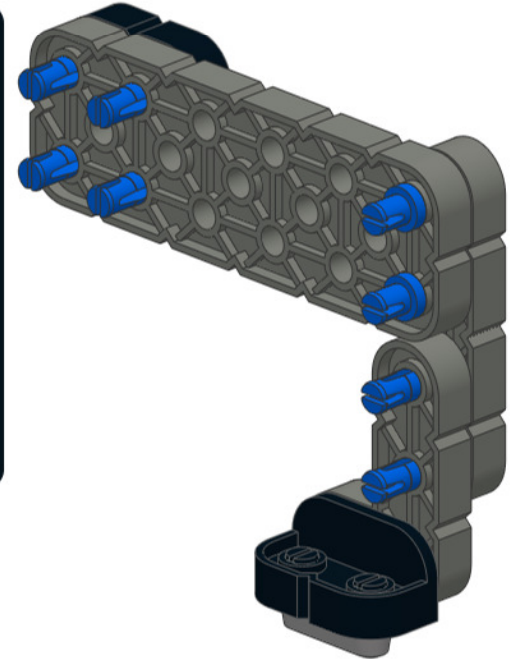
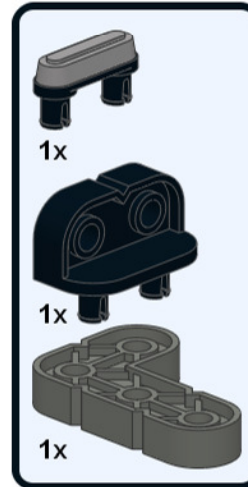
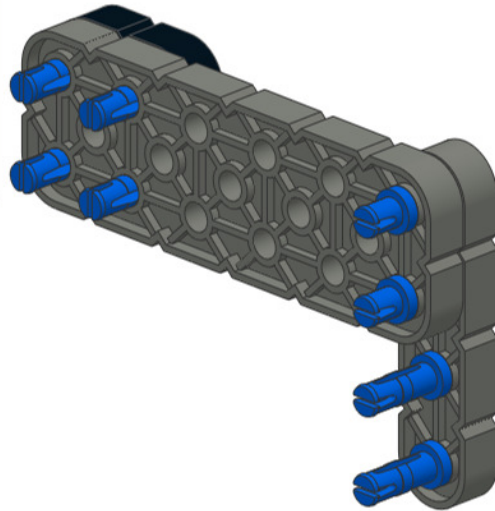
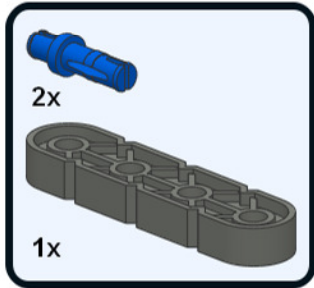
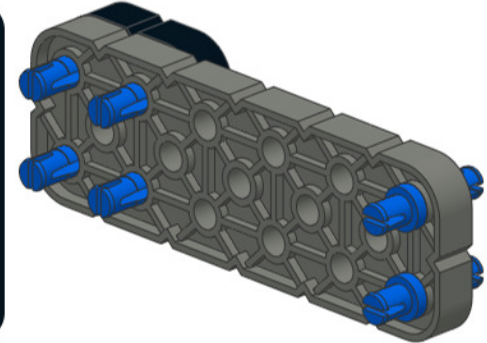
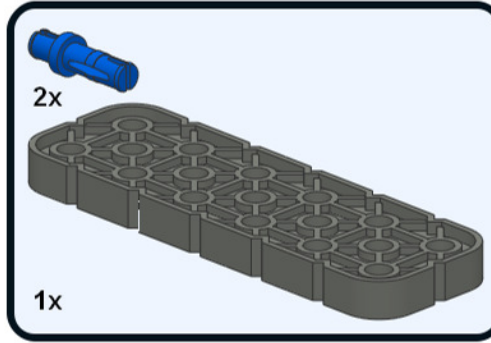
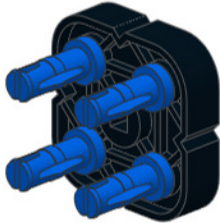
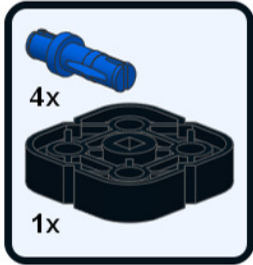
x2

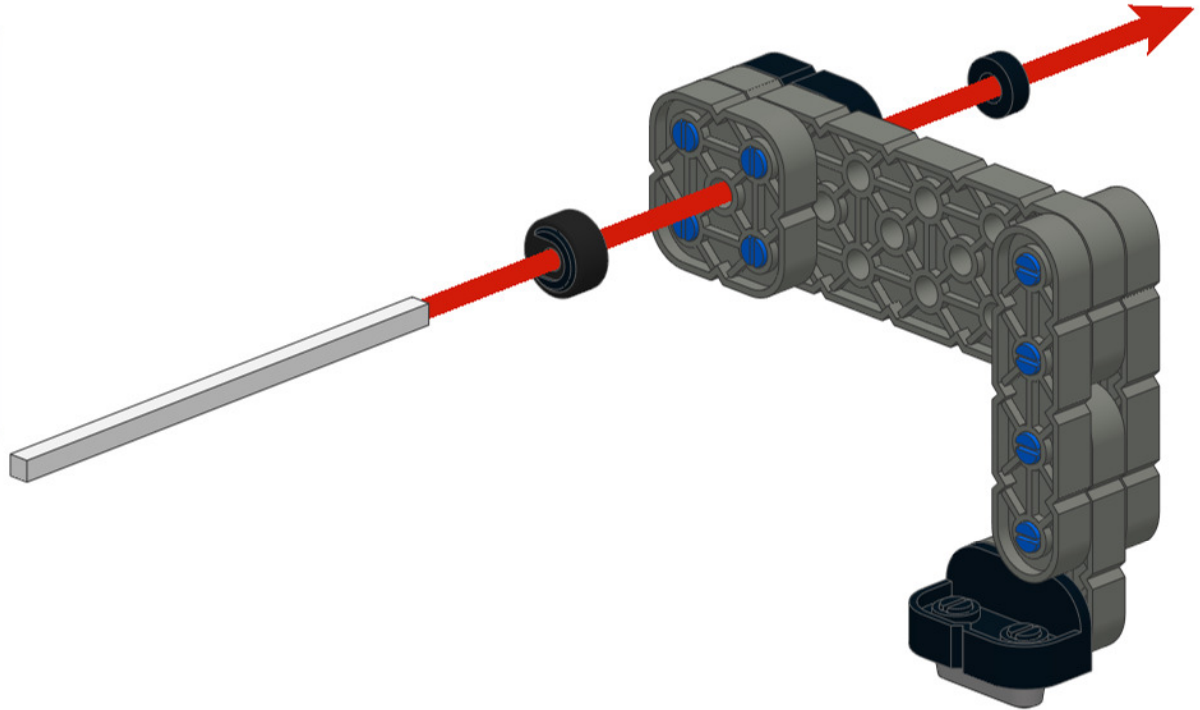
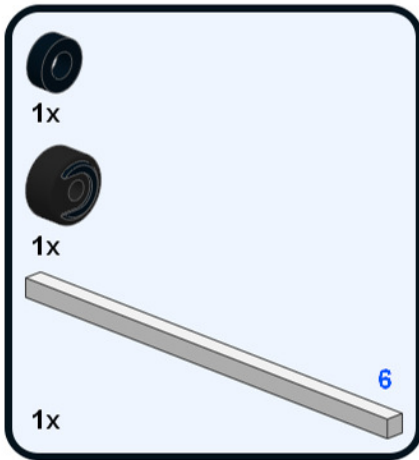
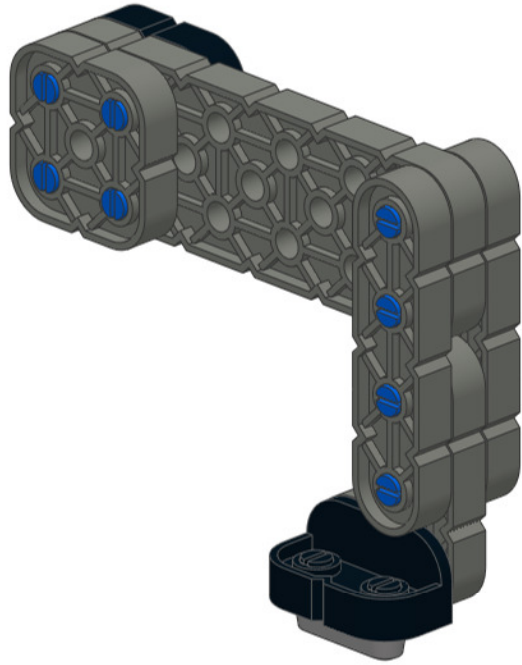
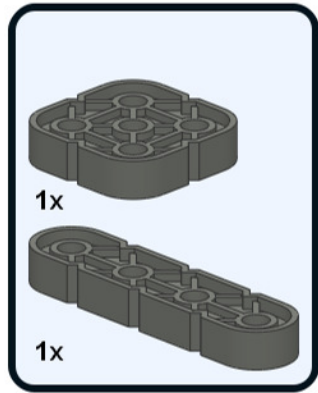


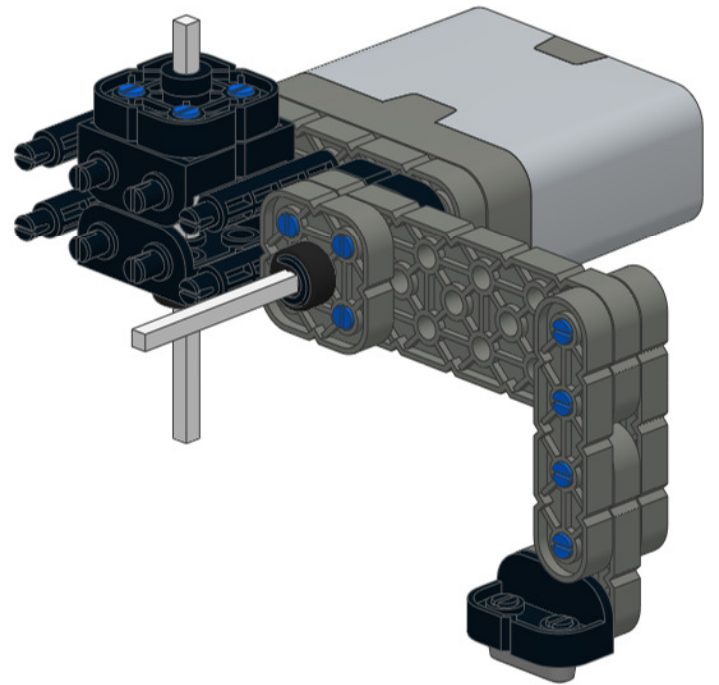
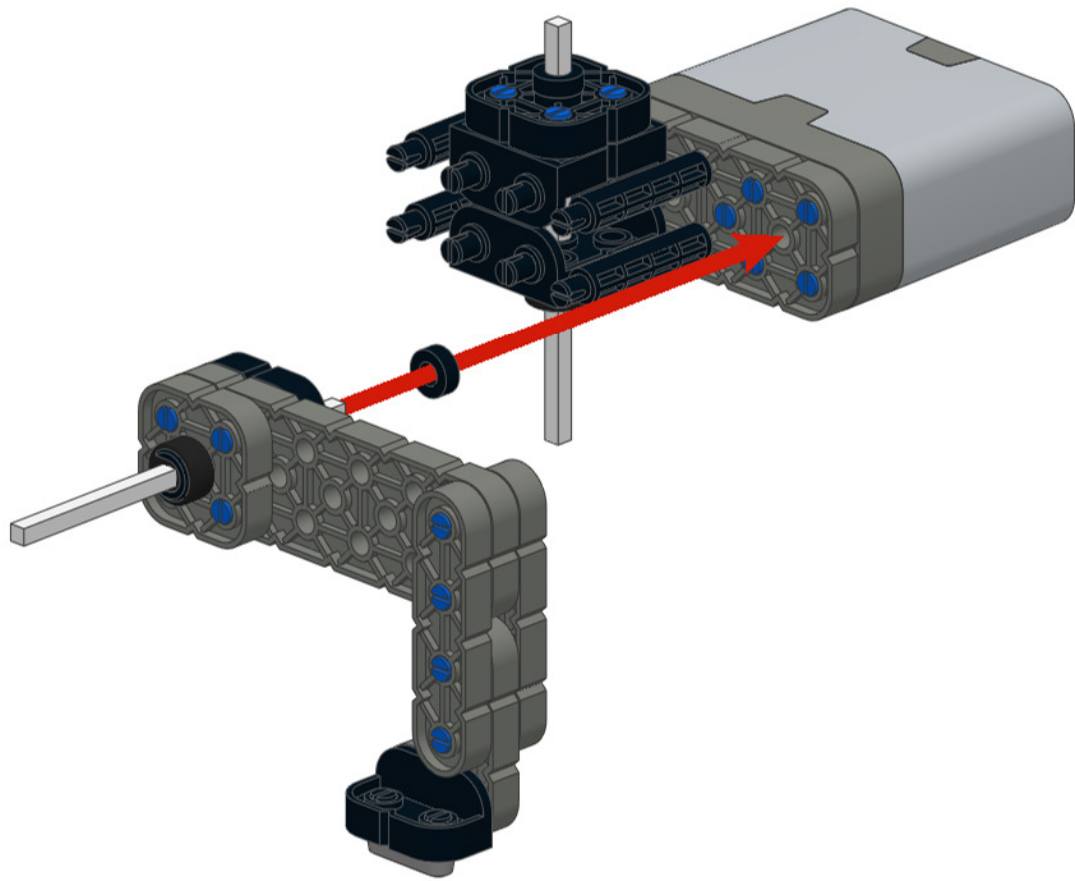


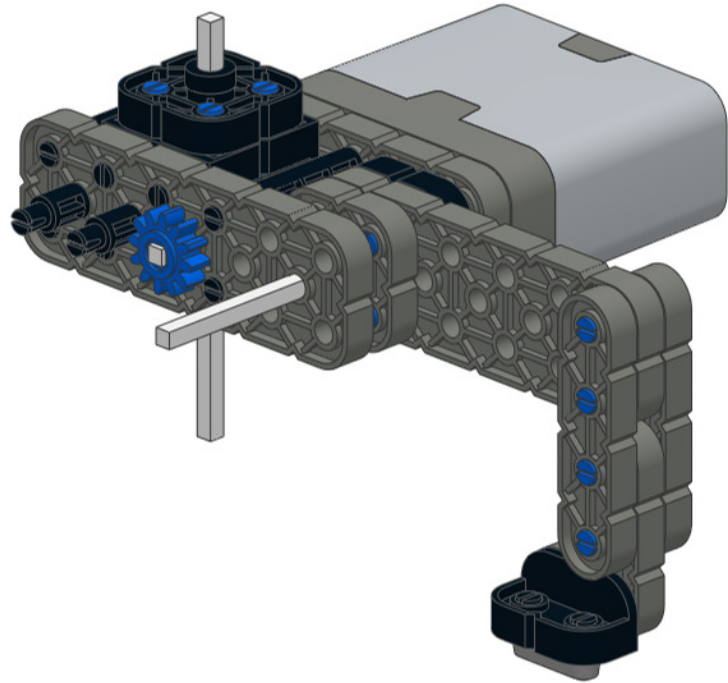
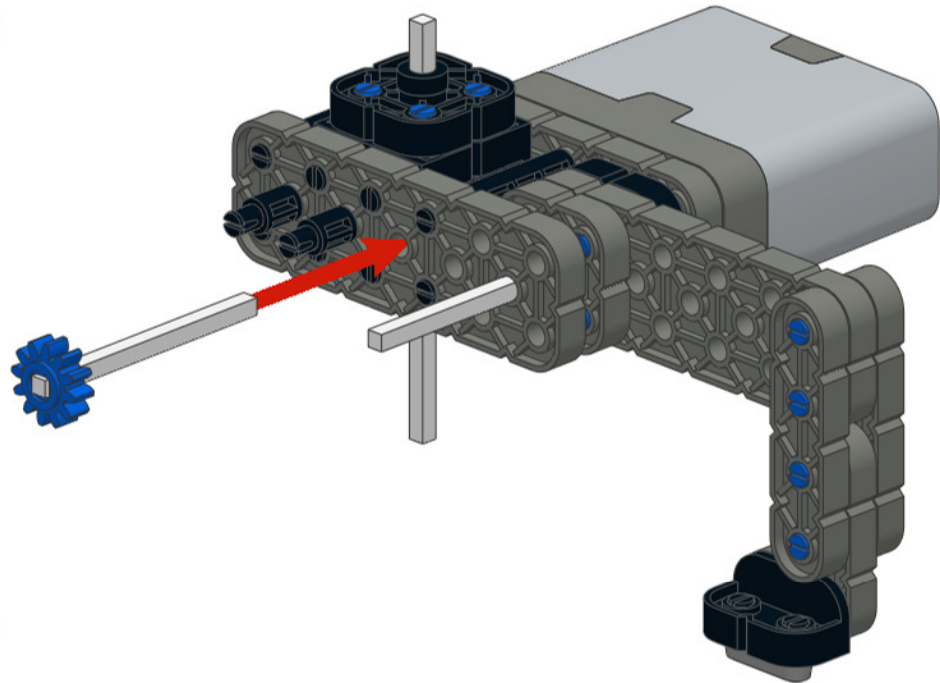
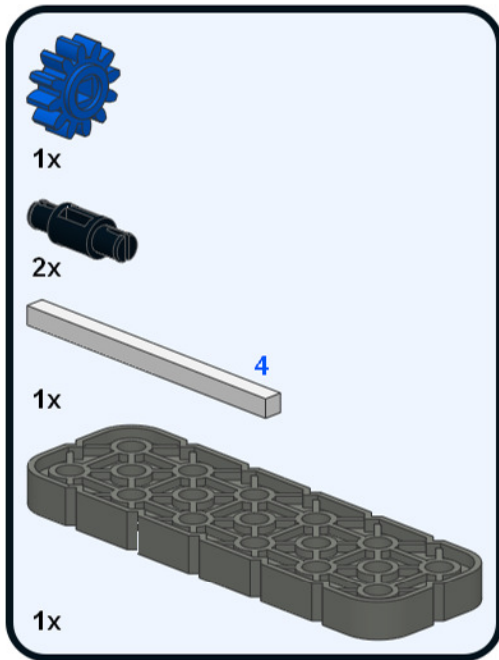


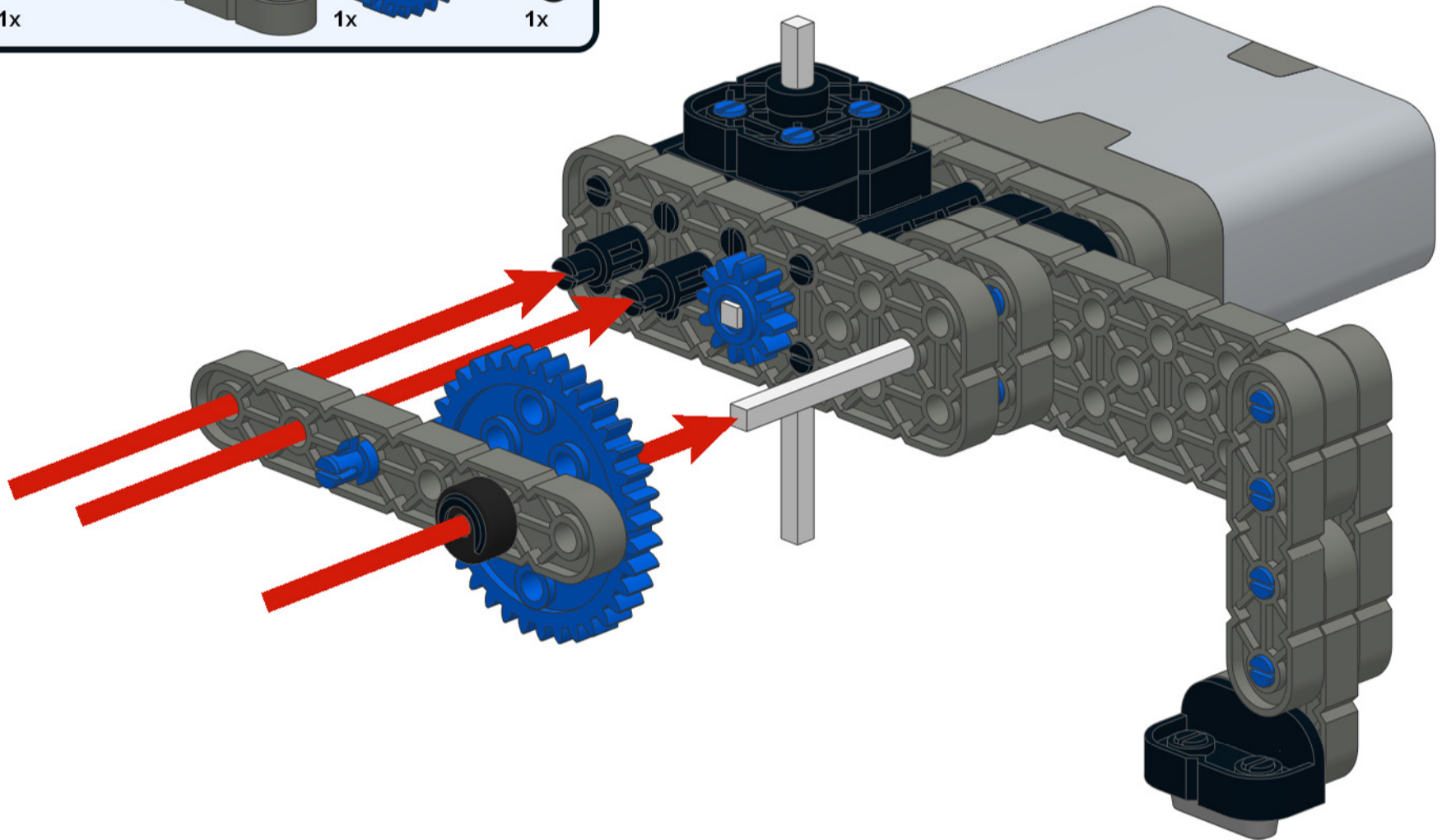
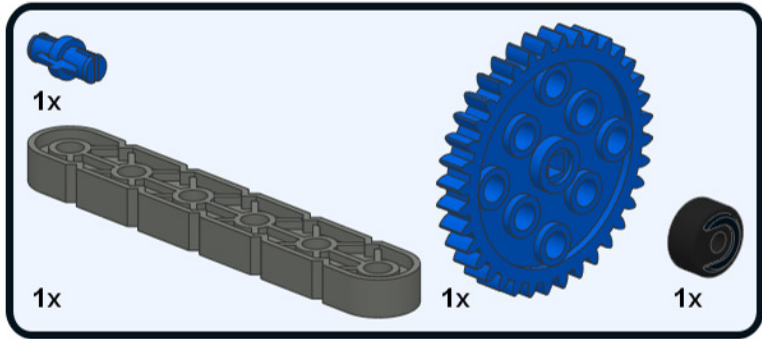




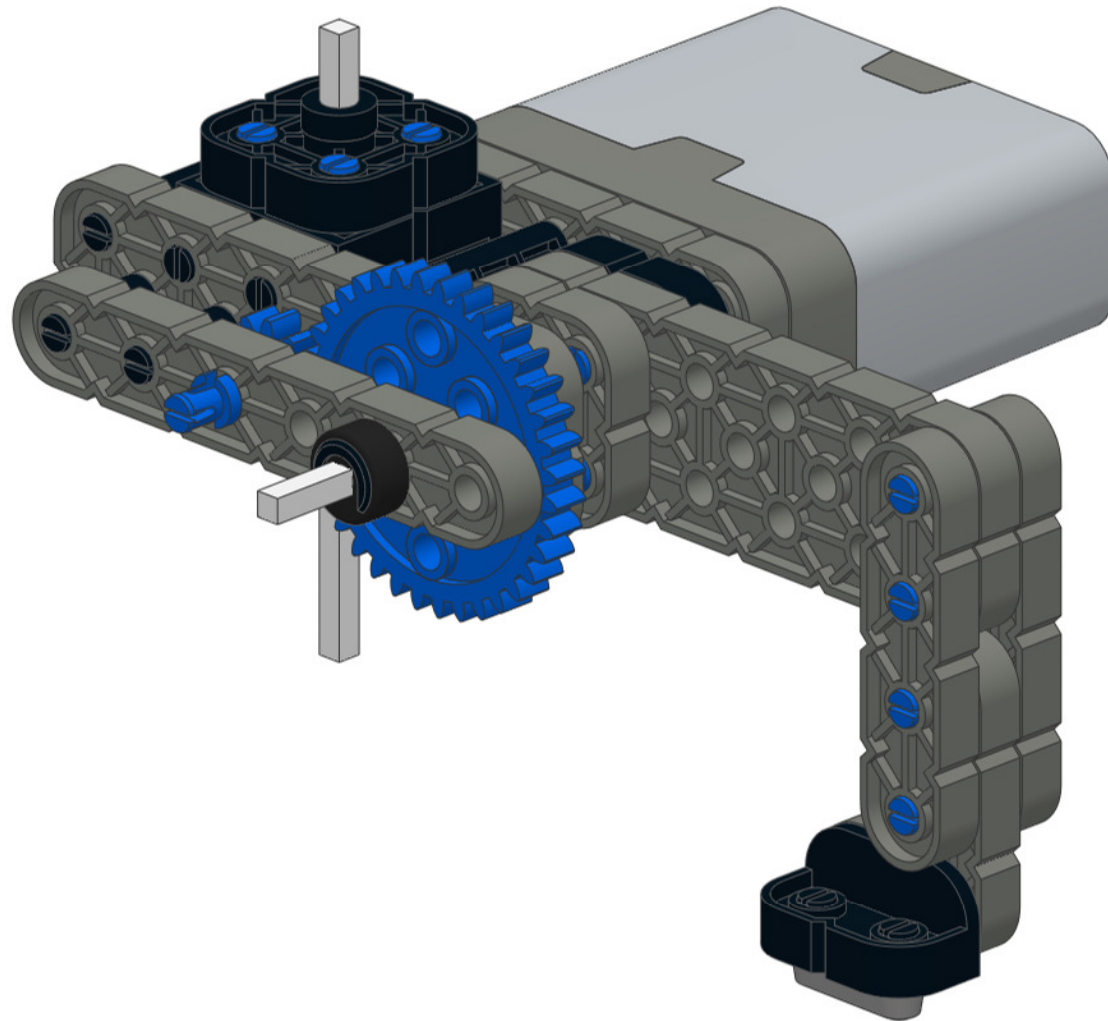


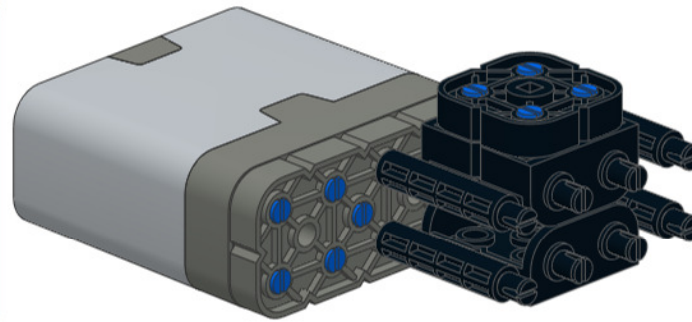
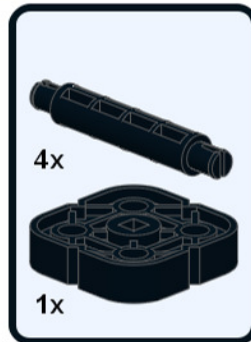
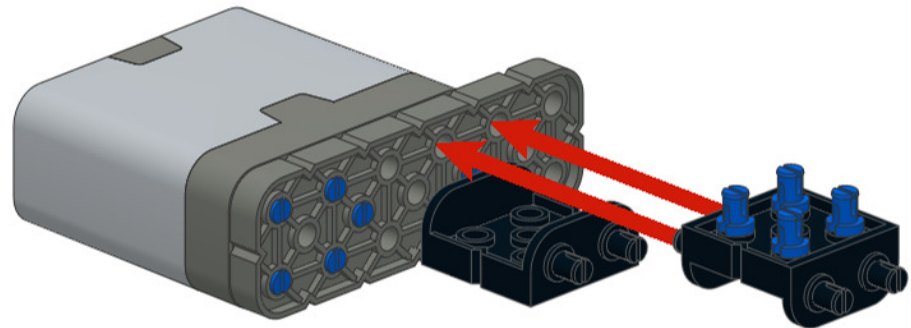
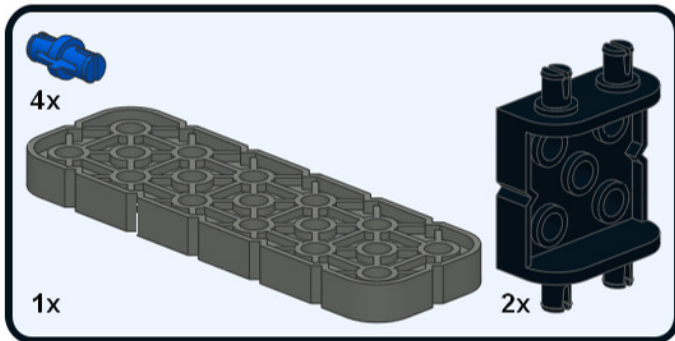
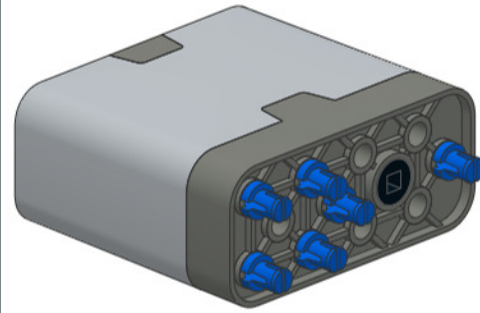
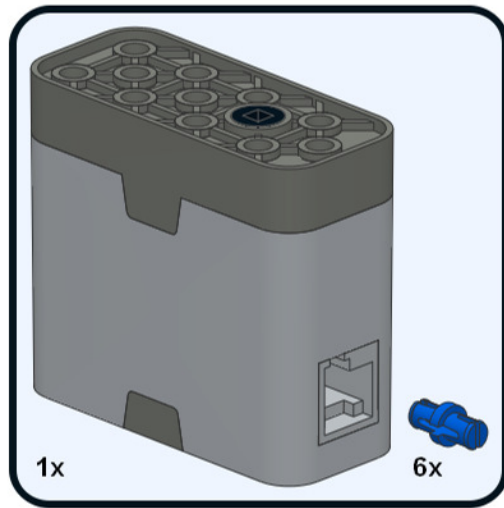


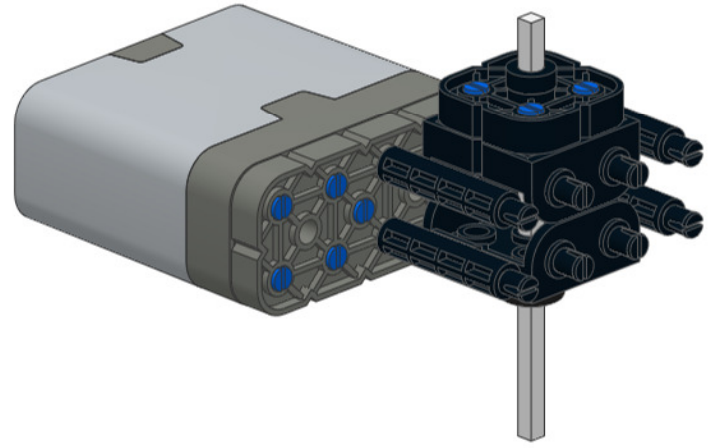
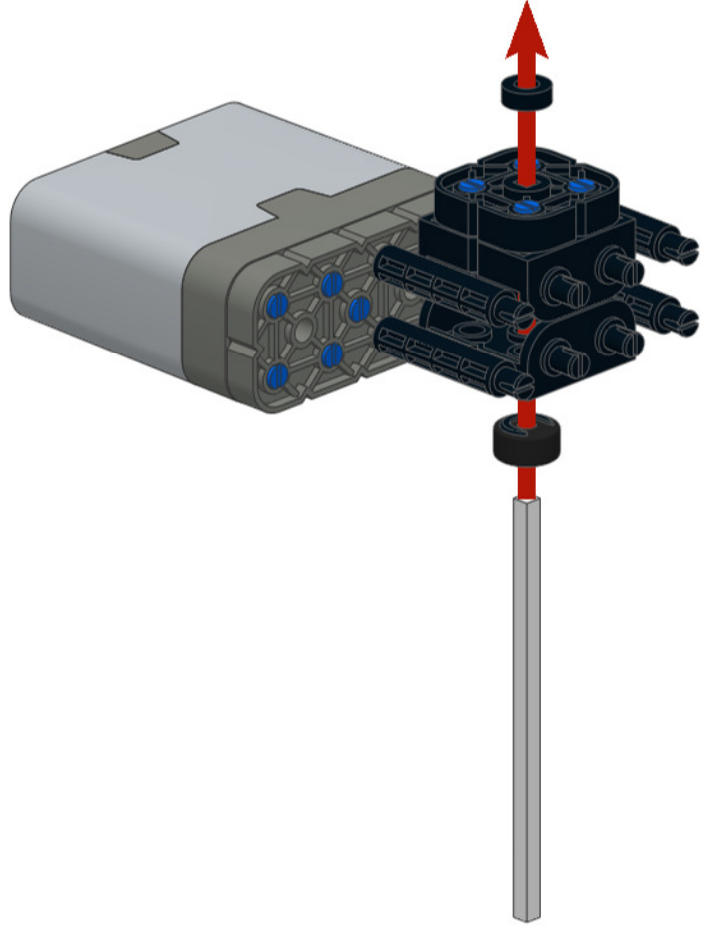
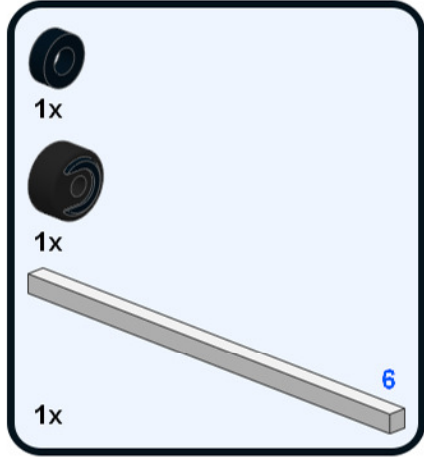


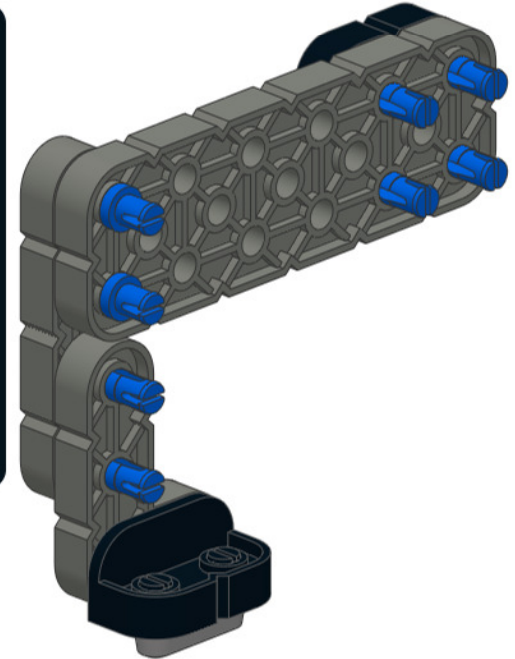
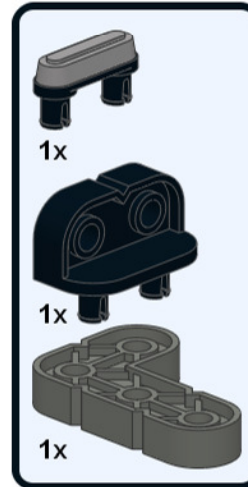
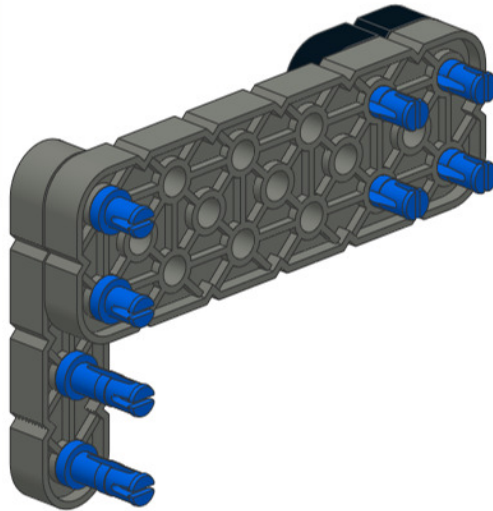
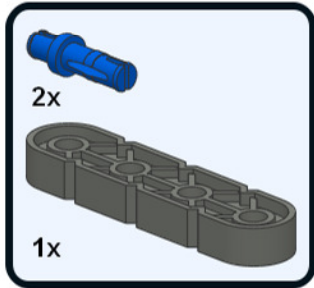
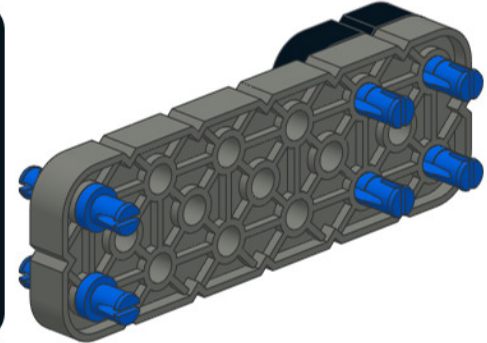
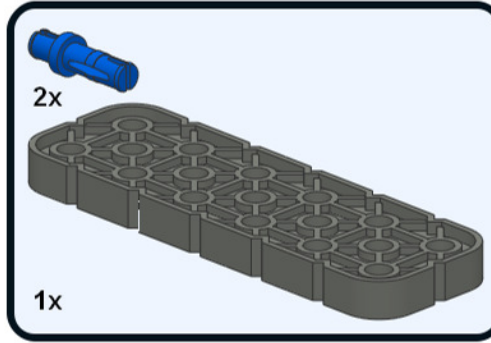
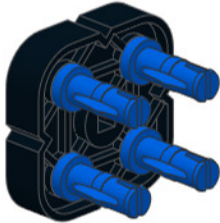
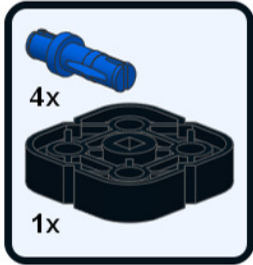


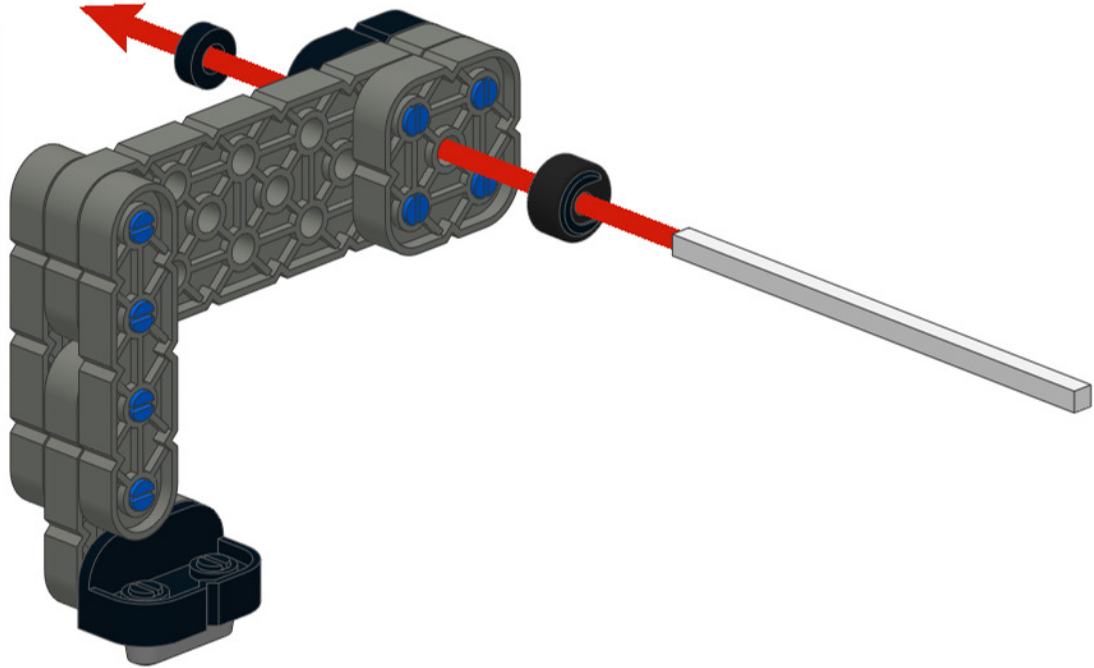
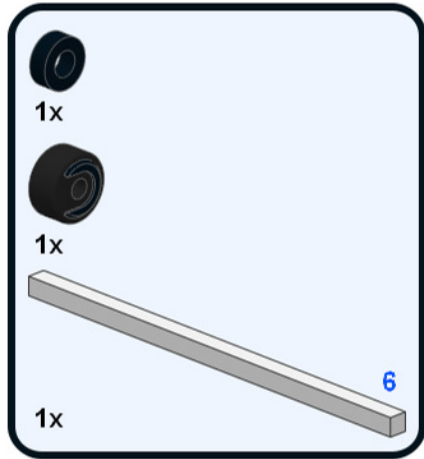
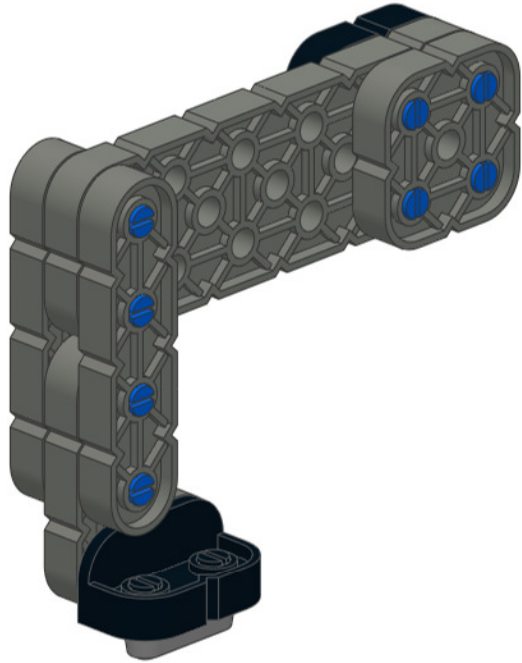
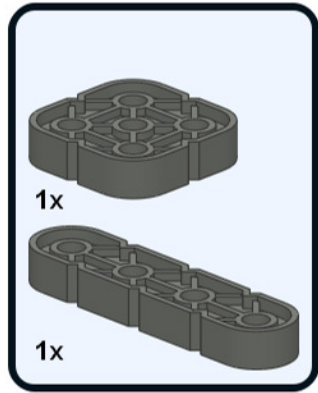
x2

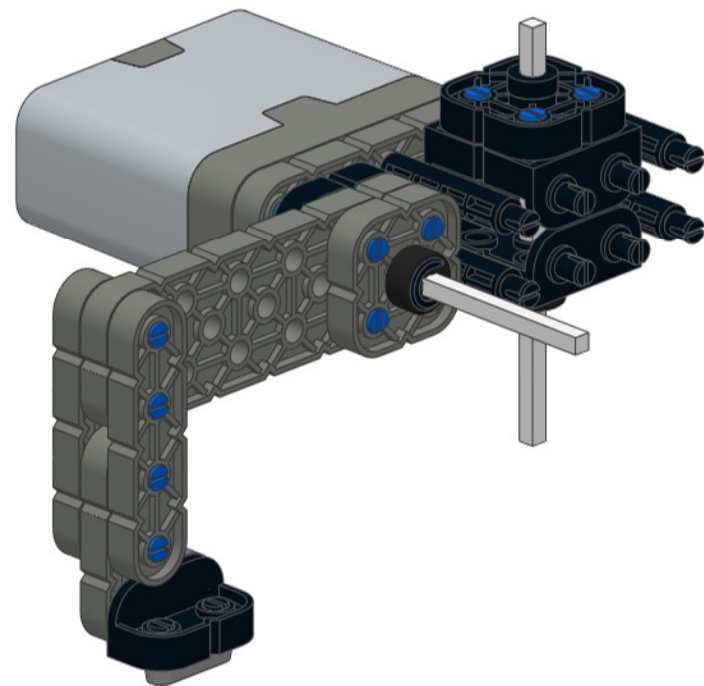
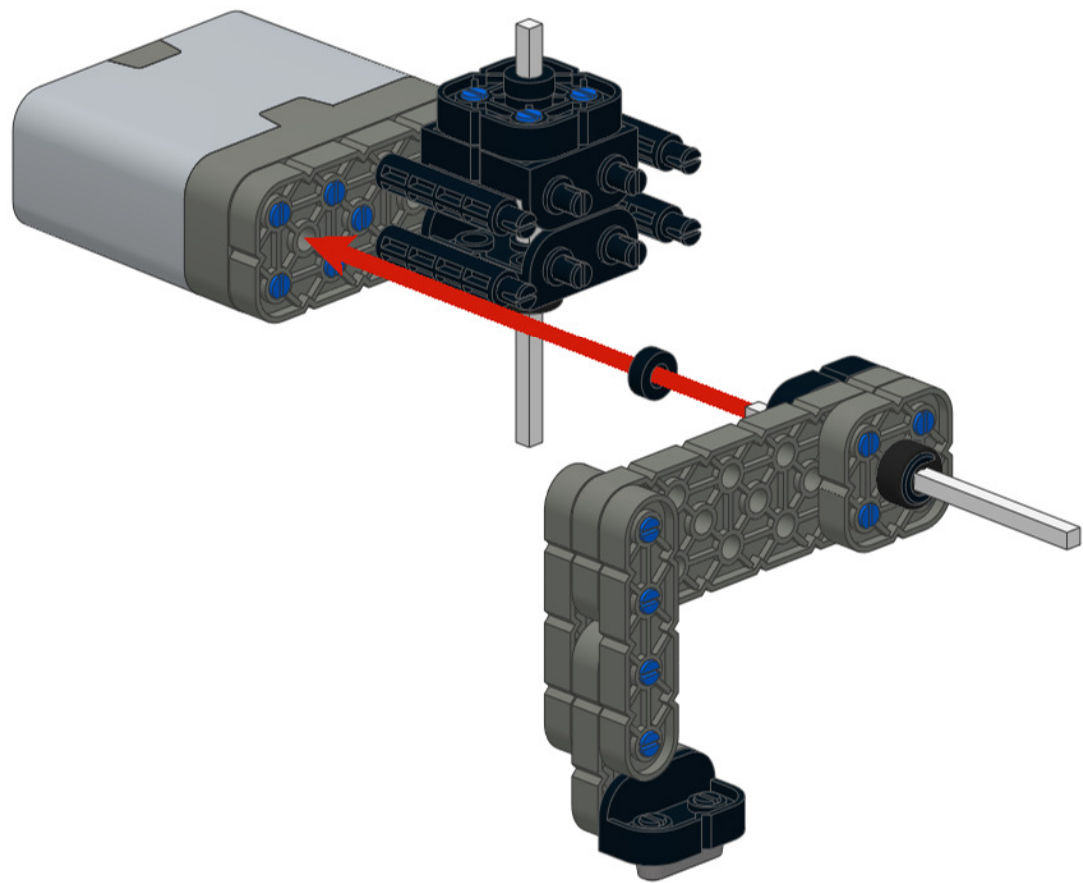


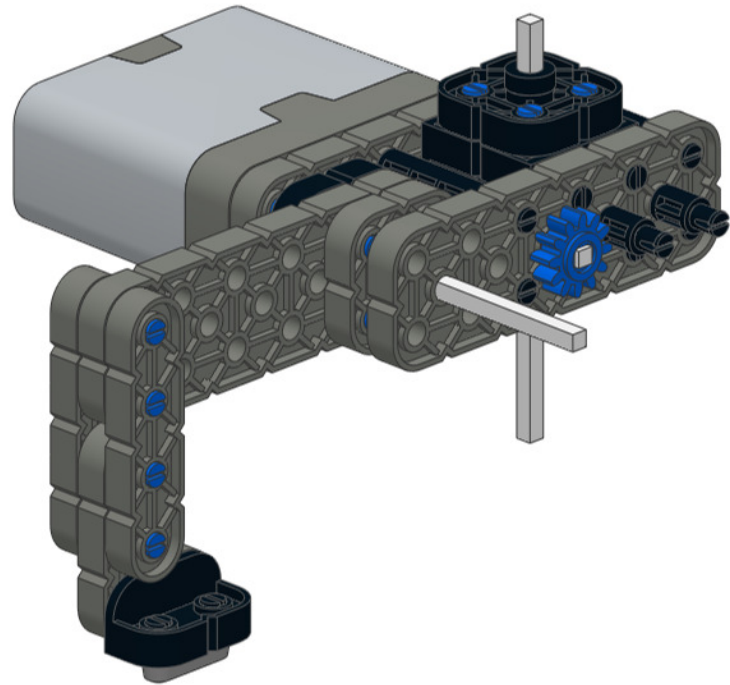
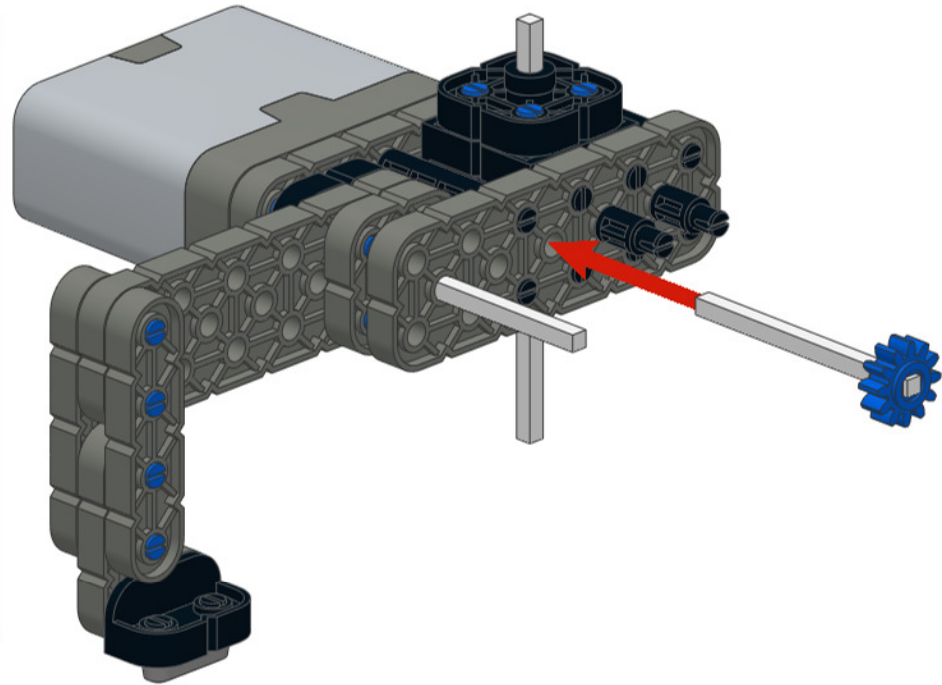
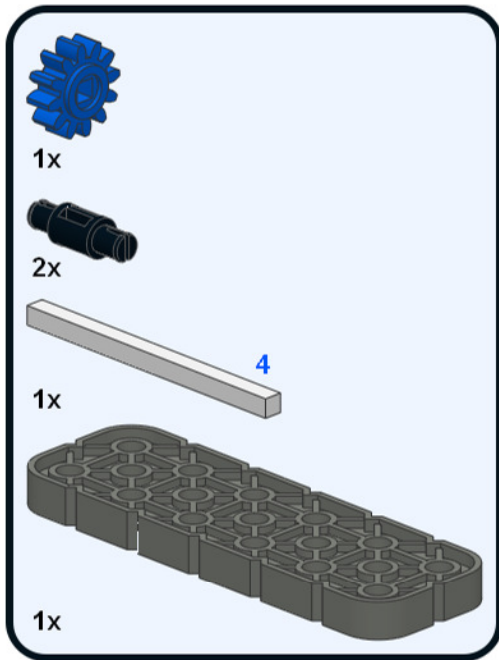


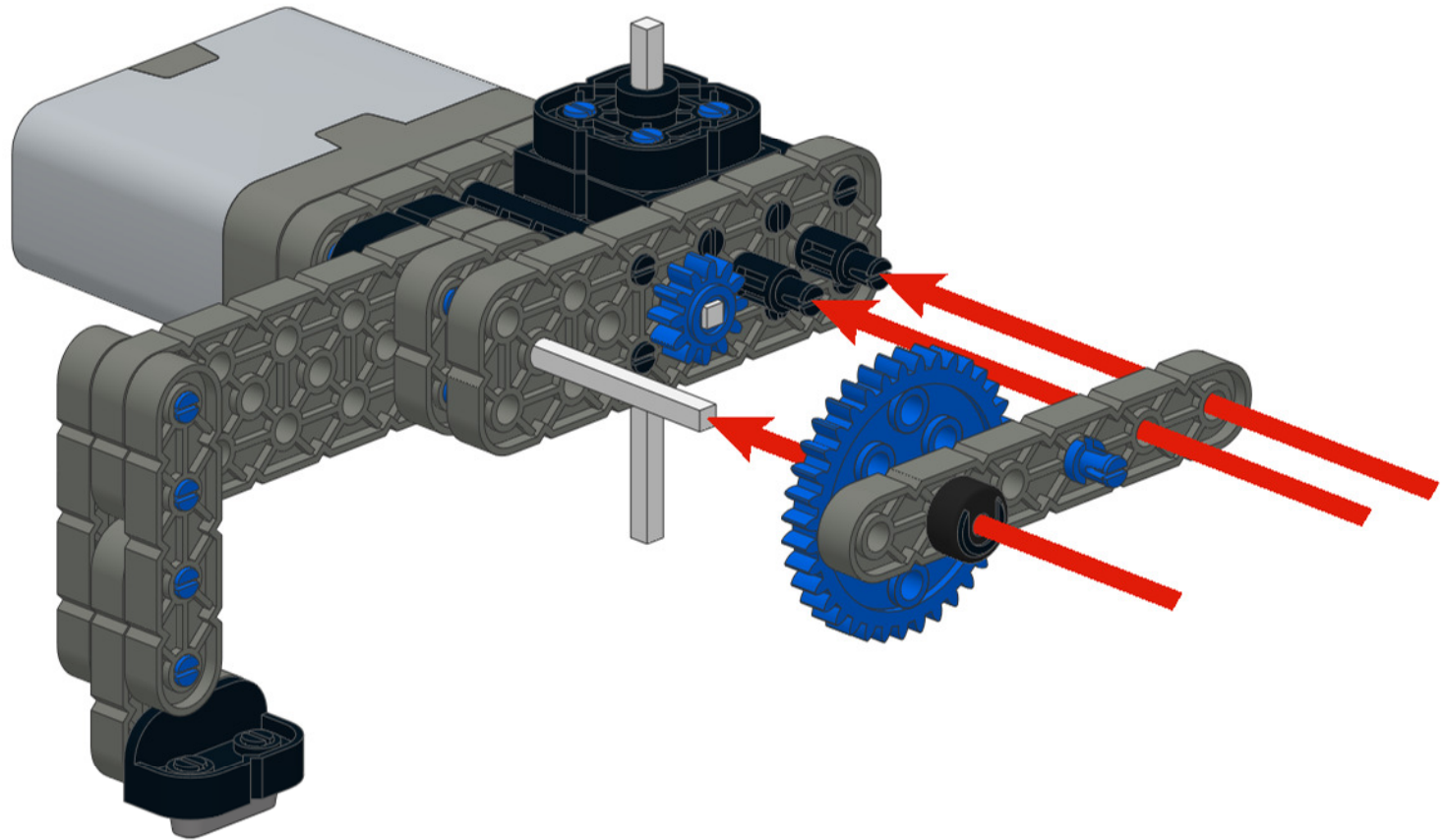
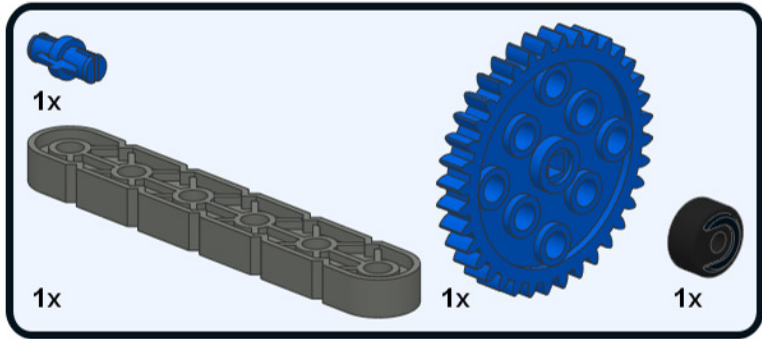












x2

